



GP-Z



GP-G



GP-A2



GP-PL



GP-PVC



GP-O / GL-O



SP-Z



SP-V



SP-H



SP-HX

CHARACTERISTICS

- Standard range of pre galvanized channels for medium duty fluid piping.
- Great flexibility in assembly: suspended, directly fixed to walls, fixed to other perforated channels, etc.
- compatible with the clamp range from the catalogue, both for piping and electrical needs.
- Ideal for specialized installers in this field.
- In a variety of materials:
 - Galvanized: for supporting electrical installations or simple indoor/outdoor fluid installations with moderate corrosion.
 - Stainless steel: For outdoor use or in humid or pollutant (chlorine-free) industrial environments.
 - Yellow plasti-coated: High isolation and great resistance to corrosive environments. Used for identification of gas installations.
 - PVC: for light loads. Easy installation (may be cut without tools) and good resistance to chemical agents in general.

BASE MATERIAL



APPLICATION EXAMPLES



Channels and cantilevers for electrical and telecommunication installations and piping.

Cable tray supports.

Accessories which complement basic equipment.

1. GAMA

ITEM	PHOTO	REFERENCE	DESCRIPTION	MATERIAL	COATING
1		GPZ201010	Channel 20 x 10 x 1	Steel	Zinc-plated $\geq 5\mu\text{m}$ ($\bar{x} = 7\mu\text{m}$)
		GPZ250808	Channel 25 x 8 x 0,80		
2		GPG271812 / GPG3M271812	Channel 27 x 18 x 1.25	Steel	Atlantis C2-M $\geq 7\mu\text{m}$ ($\bar{x} = 10\mu\text{m}$)
		GPG283018 / GPG3M283018	Channel 28 x 30 x 1.80		
		GPG384020	Channel 38 x 40 x 2.00		
		GPG351312	Channel 35 x 12 x 1,20		
		GPG402015	Channel 40 x 20 x 1.50		
3		GPI271812	Channel 27 x 18 x 1.25	Stainless steel A2	--
		GPI283015	Channel 28 x 30 x 1.50		
		GPI384020	Channel 38 x 40 x 2.00		
4		GPP271812	Channel 27 x 18 x 1.25	Steel	Yellow plastic paint
5		GPV251120	Channel 25 x 11 x 2.00	PVC	--
6		GPO357510	Zinc-plated omega Channel slotted/plain	Steel	Atlantis C2-M $\geq 7\mu\text{m}$ ($\bar{x} = 10\mu\text{m}$)
		GPO351515			
		GLO357510			
		GLO351515			
7		SPZ271820	Cantilever 27 x 18 x 1,20 x 200	Steel	Zinc-plated $\geq 5\mu\text{m}$
		SPZ271830	Cantilever 27 x 18 x 1,20 x 300		
		SPZ384020	Cantilever 38 x 40 x 2,00 x 200		
		SPZ384025	Cantilever 38 x 40 x 2,00 x 250		
		SPZ384030	Cantilever 38 x 40 x 2,00 x 300		
		SPZ384035	Cantilever 38 x 40 x 2,00 x 350		
		SPZ384040	Cantilever 38 x 40 x 2,00 x 400		
		SPZ384050	Cantilever 38 x 40 x 2,00 x 500		
		SPZ384060	Cantilever 38 x 40 x 2,00 x 600		
8		SPV2718	Vertical support	Steel	Zinc-plated $\geq 5\mu\text{m}$
		SPV3840			
9		SPH2718	Horizontal support	Steel	Zinc-plated $\geq 5\mu\text{m}$
		SPH3840			
10		SPGH2718	Horizontal channel support	Steel	Zinc-plated $\geq 5\mu\text{m}$
		SPGH3840			

2. COMPATIBILITY TABLE.

			CHANNEL CANTILEVER ARMS						CHANNEL BRACKETS					CHANNEL U-FITTINGS					CHANNEL STUD NUTS						CHANNEL NUTS						PLASTIC CAPS																	
			Vertical M10	Vertical M10	Horizontal M10	Horizontal M10	Horizontal	Horizontal	EMZ45	EMZ90	EMZ00	EMI45	EMI90	EMI00	GZZ718	PGZ2830	PGZ3840	PGI2718	PGI2830	PGI3840	TG230620	TG230820	TG230830	TG340830	TG341030	TGR230620	TGR230820	TGR230830	TGR340830	TGR341030	TUG201006	TUG201008	TUG271808	TUG271810	TUGRA2706	TUGRA2708	TUGRA3808	TUGRA3810	SOTP2718	SOTP2830	SOTP3840	SOTP4121						
Code	Measure (mm)	Length (mm)						45°	90°	Plana	45° stainless	90° stainless	Stainless flat							M6 x 20	M8 x 20	M8 x 30	M8 x 30	M10 x 30	M60 x 20	M8 x 20	M8 x 30	M8 x 30	M10 x 30	M6	M8	M8	M10	M6	M8	M8	M10											
SLOTTED STRUT CHANNELS	GPZ201010	20X10X1	2000																	•										•	•																	
	GPZ250808	25X8X0,8	1000																		•									•	•																	
	GPG271812/ GPG3M271812	27x18x1,25	2000/ 3000	•	•	•		•	•	•					•						•	•	•			•	•	•	•	•	•	•	•	•	•			•										
	GPG283018/ GPG3M271812	28x30x1,8	2000/ 3000	•	•	•		•	•	•						•						•	•				•	•	•	•	•	•	•	•			•											
	GPG351312	35x13x1,2	2000					•	•	•																																						
	GPG384020	38x40x2	2000	•		•		•	•	•						•									•	•					•	•																
	GPG402015	40x40x1,5	2000	•		•		•	•	•														•	•						•	•																
	GPI271812	27x18x1,25	2000									•	•	•				•			•	•	•							•	•	•	•							•								
	GPI283015	28x30x1,8	2000									•	•	•					•			•	•							•	•	•	•										•					
	GPI384020	38x40x2	2000									•	•	•					•						•	•																						
	GPP271812	27x18x1,25	1000	•	•			•	•	•					•						•	•	•							•	•	•	•															
	GPV251120	25x11x2	1000					•	•	•											•									•	•																	
	GLO357510	35x7,5x1	2000																																													
	GLO351515	35x15x1,5	2000																																													
	GPO357510	35x7,5x1	2000																																													
GPO351515	35x15x1,5	2000																																														
CHANNEL CANTILEVER ARMS	SPZ271820	27x18x1,25	200																	•	•				•	•	•	•	•	•	•	•	•	•	•	•	•	•	•	•	•	•	•	•				
	SPZ271830	27x18x1,25	300																		•	•				•	•	•	•	•	•	•	•	•	•	•	•	•	•	•	•	•	•	•	•			
	SPZ384020	38x40x2	200																				•	•			•	•			•	•																
	SPZ384025	38x40x2	250																				•	•			•	•			•	•																
	SPZ384030	38x40x2	300																				•	•			•	•			•	•																
	SPZ384035	38x40x2	350																				•	•			•	•			•	•																
	SPZ384040	38x40x2	400																				•	•			•	•			•	•																
	SPZ384050	38x40x2	500																				•	•			•	•			•	•																
	SPZ384060	38x40x2	600																				•	•			•	•			•	•																

3. INSTALLATION DATA

3.1 GP-Z

Zinc-plated slotted channel



Material



Steel

Coating

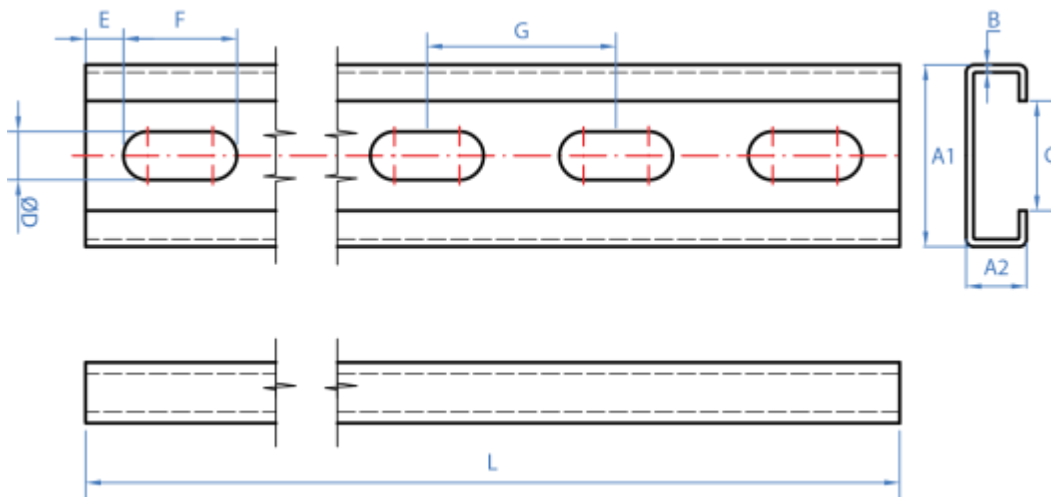


Zinc-plated $\geq 5\mu\text{m}$ ($\bar{x} = 7\mu\text{m}$)

Installation data

Code	A1	A2	B	C	$\varnothing D$	E	F	G	L
GPZ201010	20	10	1,0	10,5	6,5	5	15	25	2000
GPZ250808	25	8	0,8	14,0	6,5	3,5	18	25	1000

Drawing



3.2 GP-G

Galvanized slotted channel



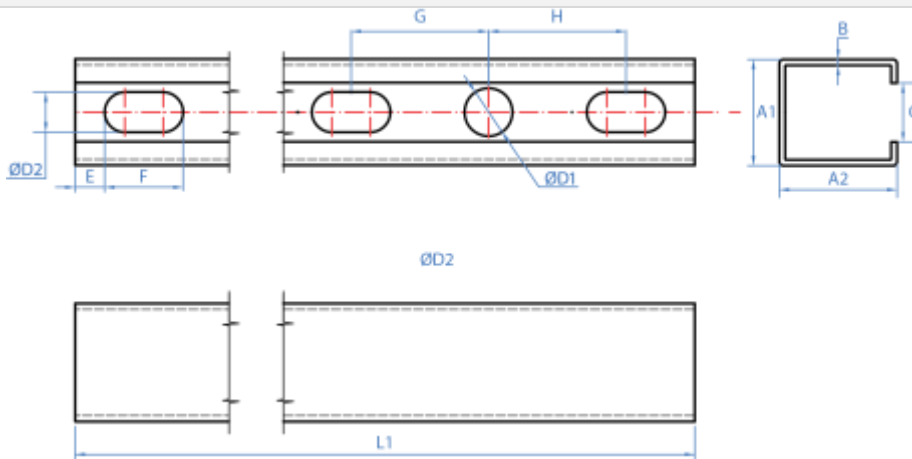
Material	Coating
Steel	Atlantis C2 H ≥ 7µm (x̄ = 10 µm) GPG271812 ≥ 15µm (x̄ = 20 µm) Rest of the channels

Installation data

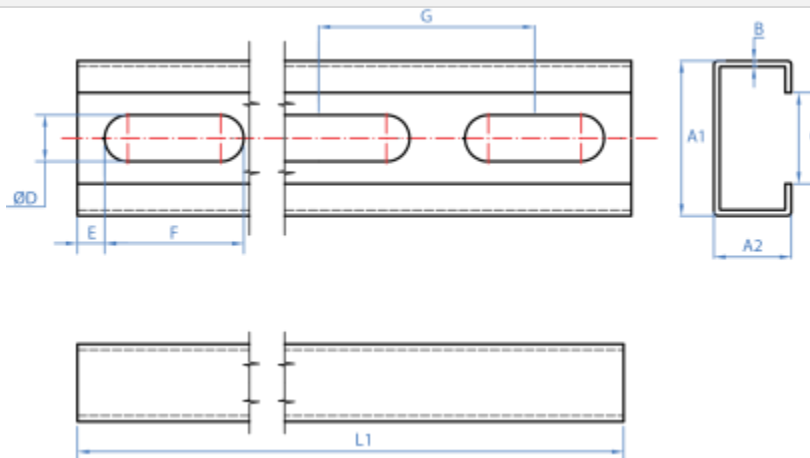
Code	A1	A2	B	C	ØD1	ØD2	E	F	G	H	L1
GPG271812	27	18	1,25	15,0	10,5	8,5	8,0	18,5	30	30	2000
GPG3M271812	27	18	1,25	15,0	10,5	8,5	8,0	18,5	30	30	3000
GPG283018	28	30	1,80	15,0	12,0	10,0	7,5	20,0	35	35	2000
GPG3M283018	28	30	1,80	15,0	12,0	10,0	7,5	20,0	35	35	3000
GPG384020	38	40	2,00	17,0	12,0	10,0	7,5	20,0	35	35	2000
GPG351312	35	13	1,20	15,5	8,5	--	4,0	18,0	28,0	--	2000
GPG402015	40	20	1,50	23,5	12,0	--	7,0	36,0	50	--	2000

Drawing

GPG271812 / GPG283018 / GPG384020



GPG351312 / GPG402015



3.3 GP-A2

Stainless steel slotted channel

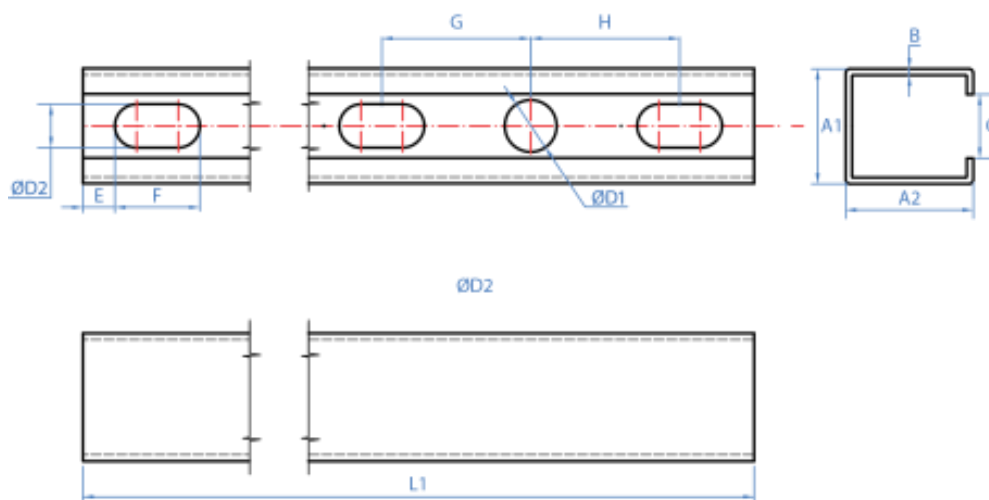


Material	Coating
	
Steel	Stainless steel A2

Installation data

Code	A1	A2	B	C	ØD1	ØD2	E	F	G	H	L1
GPI271812	27	18	1,25	15,0	12,0	8,0	15	20	35	35	2000
GPI283015	28	30	1,50	15,0	12,0	10,0	10	20	35	35	2000
GPI384020	38	40	2,00	17,0	12,0	12,0	9,5	20	35	35	2000

Drawing



3.4 GP-PL

Plastic painted slotted channel



Material



Steel

Coating

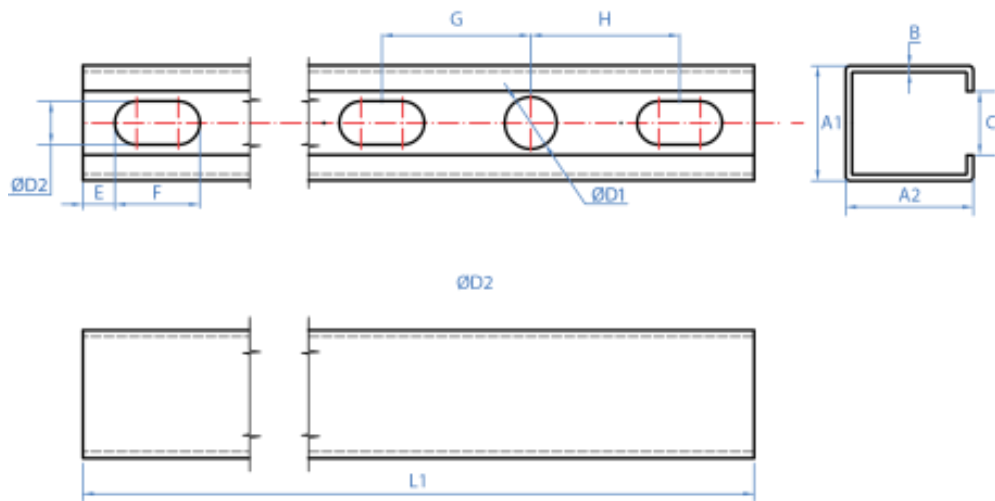


Yellow plastic paint

Installation data

Code	A1	A2	B	C	ØD1	ØD2	E	F	G	H	L1
GPP271812	27	18	1,25	15,0	12,0	8,0	15	20	35	35	1000

Drawing



3.5 GP-PVC

PVC slotted channel



Material

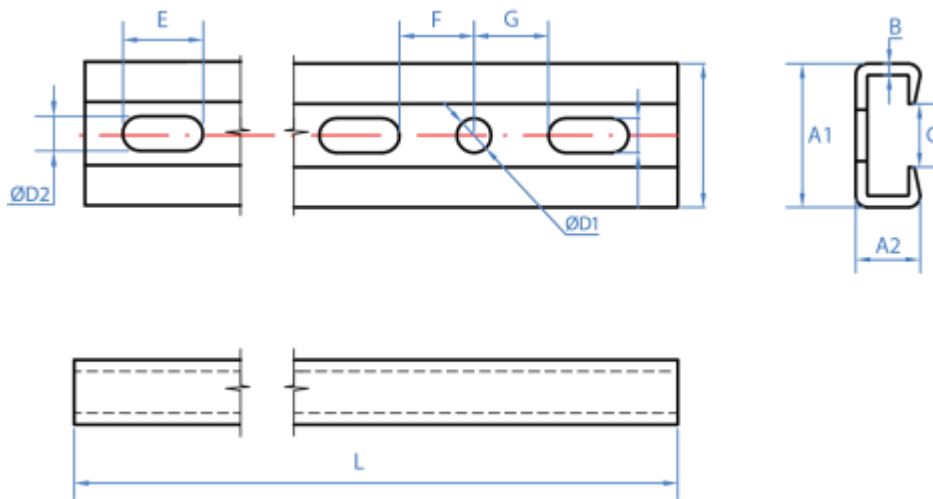


PVC

Installation data

Code	A1	A2	B	C	ØD1	ØD2	E	F	G	L1
GPV251120	25	11,5	2,0	11,5	6,0	6,0	14	13	13	1000

Drawing



3.6 GP-O / GL-O

Zinc-plated omega slotted/plain channel

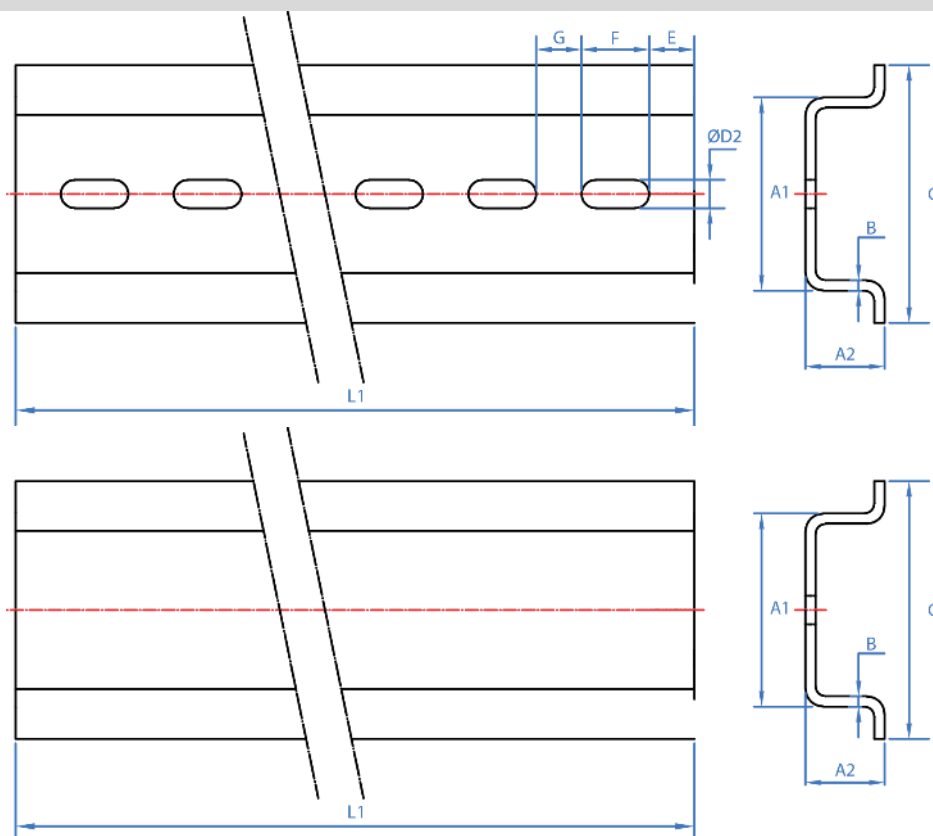


Material	Coating
Steel	Atlantis C2-M $\geq 7\mu\text{m}$ ($\bar{x} = 10\mu\text{m}$)

Installation data

Code	A1	A2	B	C	$\varnothing D2$	E	F	G	L1
GPO357510	27	7,5	1,0	35	6,25	10	12	10	2000
GPO351515	27	15	1,5	35	6,25	10	12	10	2000
GLO357510	27	7,5	1,0	35	--	10	12	10	2000
GLO351515	27	15	1,5	35	--	10	12	10	2000

Drawing



3.7 SP-Z

Perforated Cantilever



Material



Steel

Coating

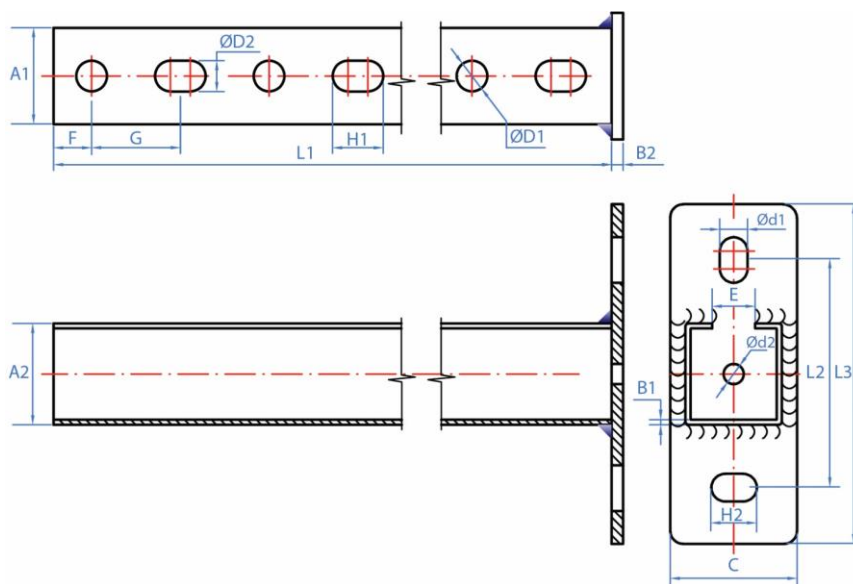


Zinc-plated $\geq 5\mu\text{m}$

Installation data

Code	A1	A2	B1	B2	C	$\varnothing D1$	$\varnothing D2$	$\varnothing d1$	$\varnothing d2$	E	F	G	H1	H2	L1	L2	L3
SPZ271820	27	18	1,25		40		8			15	10				200	80	120
SPZ271830															300		
SPZ384020	38	40	2,00	4,5	45	12	12	11	8	17		35	20	18	200	90	132
SPZ384025															250		
SPZ384030															300		
SPZ384035															350		
SPZ384040															400		
SPZ384050															500		
SPZ384060	600																

Drawing



3.8 SP-V

Vertical support

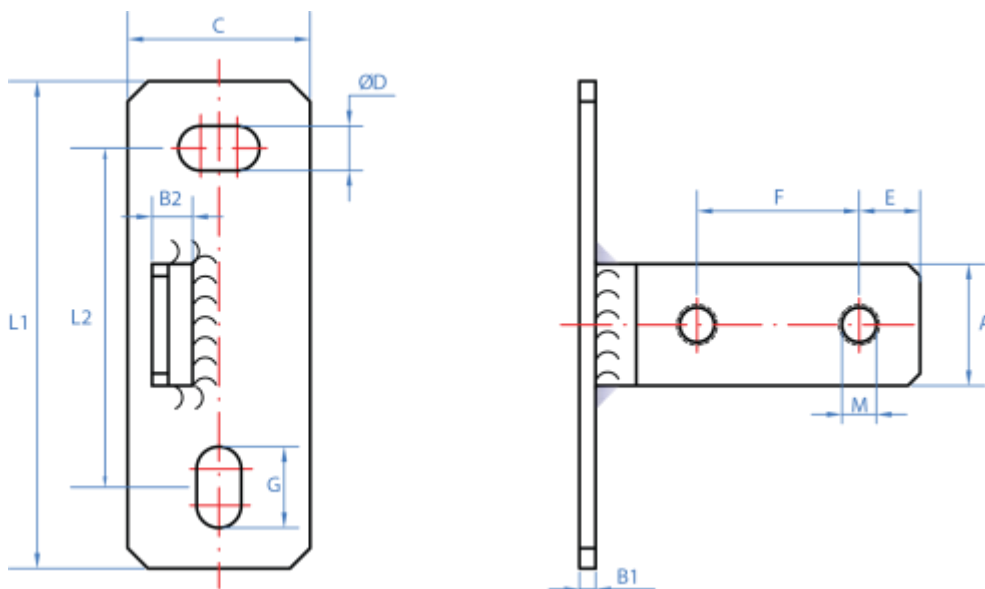


Material	Coating	Valid for
A	Z ZINC	
Steel	Zinc-plated $\geq 5\mu\text{m}$	Slotted channel GP-G

Installation data

Code	A	B1	B2	C	$\varnothing D$	E	F	G	L1	L2	M
SPV2718	21,5	4	10	42,5	11	15	40	20	120	88	10
SPV3840	30										

Drawing



3.9 SP-H

Horizontal support

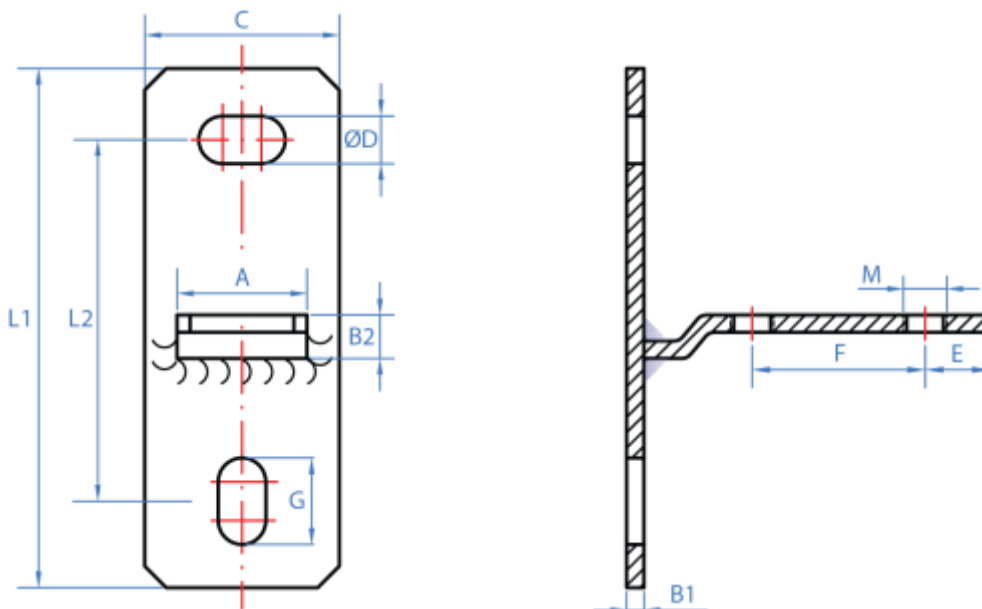


Material	Coating	Valid for
A	Z ZINC	
Steel	Zinc-plated $\geq 5\mu\text{m}$	Slotted channel GP-G

Installation data

Code	A	B1	B2	C	$\varnothing D$	E	F	G	L1	L2	M
SPH2718	21,5	4	10	42,5	11	15	40	20	120	80	10
SPH3840	30										

Drawing



3.10 SP-HX

Horizontal channel support

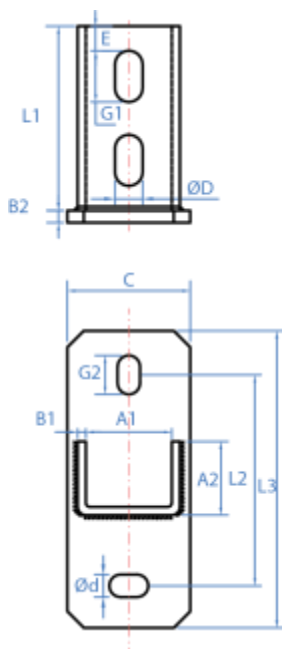


Material	Coating	Valid for
Steel	Zinc-plated $\geq 5\mu\text{m}$	Slotted channel GP-G

Installation data

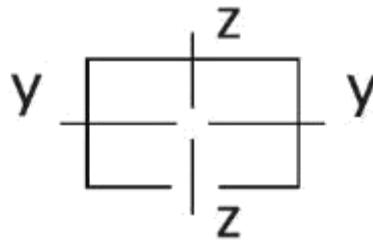
Code	A1	A2	B1	B2	C	$\varnothing D$	$\varnothing d$	E	G1	G2	L1	L2	L3
SPGH2718	31	20	3	4	40	11,0	11	11	19	19	70	78	120
SPGH3840	42	35	4	6	60	13,5	11	12	25	16	90	103	145

Drawing



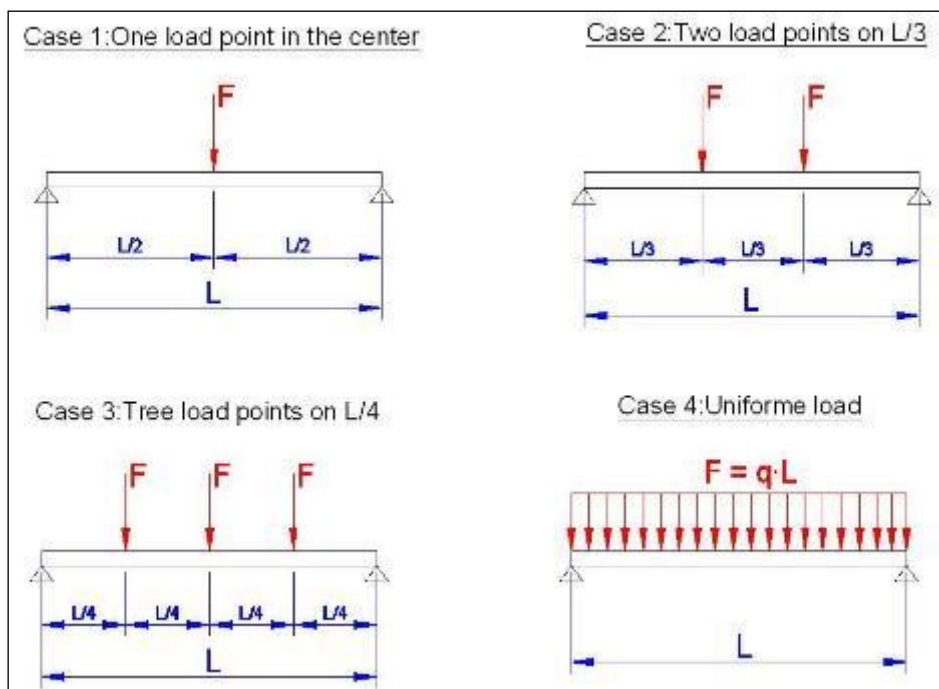
4. GEOMETRIC DATA

REFERENCE	SECTION	WEIGHT	AREA	MOMENT OF INERTIA (I _y)	MOMENT OF INERTIA (I _z)	RESISTANT MODULE (W _y)	RESISTANT MODULE (W _z)	
	[mm x mm]	[Kg/m]	[cm ²]	[cm ⁴]	[cm ⁴]	[cm ³]	[cm ³]	
GPZ201010	20 x 10	0.31	0.44	0.06	0.25	0.10	0.25	
GPZ250808	25 x 8	0.26	0.35	0.03	0.30	0.06	0.24	
GPG271812	27 x 18	0.66	0.84	0.37	0.97	0.34	0.71	
GPG283018	28 x 30	1.25	1.60	1.79	2.10	1.03	1.50	
GPG384020	38 x 40	2.00	2.55	5.39	6.18	2.39	3.25	
GPG351312	35 x 13	Performance not declared						
GPG402015	40 x 20	0.94	1.30	0.71	3.10	0.57	1.55	
GPP271812	27 x 18	0.66	0.84	0.37	0.97	0.34	0.71	
GPI271812	27 x 18	0.66	0.79	0.36	0.90	0.33	0.67	
GPI283015	28 x 30	1.25	1.37	1.54	1.82	0.89	1.30	
GPI384020	37 x 40	2.00	2.55	5.39	6.18	2.39	3.25	
SPZ271820	27 x 18	1,20	0.84	0.37	0.97	0.34	0.71	
SPZ271830	27 x 18	1,20	0.84	0.37	0.97	0.34	0.71	
SPZ384020	38 x 40	2,4	2.55	5.39	6.18	2.39	3.25	
SPZ384025	38 x 40	2,4	2.55	5.39	6.18	2.39	3.25	
SPZ384030	38 x 40	2,4	2.55	5.39	6.18	2.39	3.25	
SPZ384035	38 x 40	2,4	2.55	5.39	6.18	2.39	3.25	
SPZ384040	38 x 40	2,4	2.55	5.39	6.18	2.39	3.25	
SPZ384050	38 x 40	2,4	2.55	5.39	6.18	2.39	3.25	
SPZ384060	38 x 40	2,4	2.55	5.39	6.18	2.39	3.25	

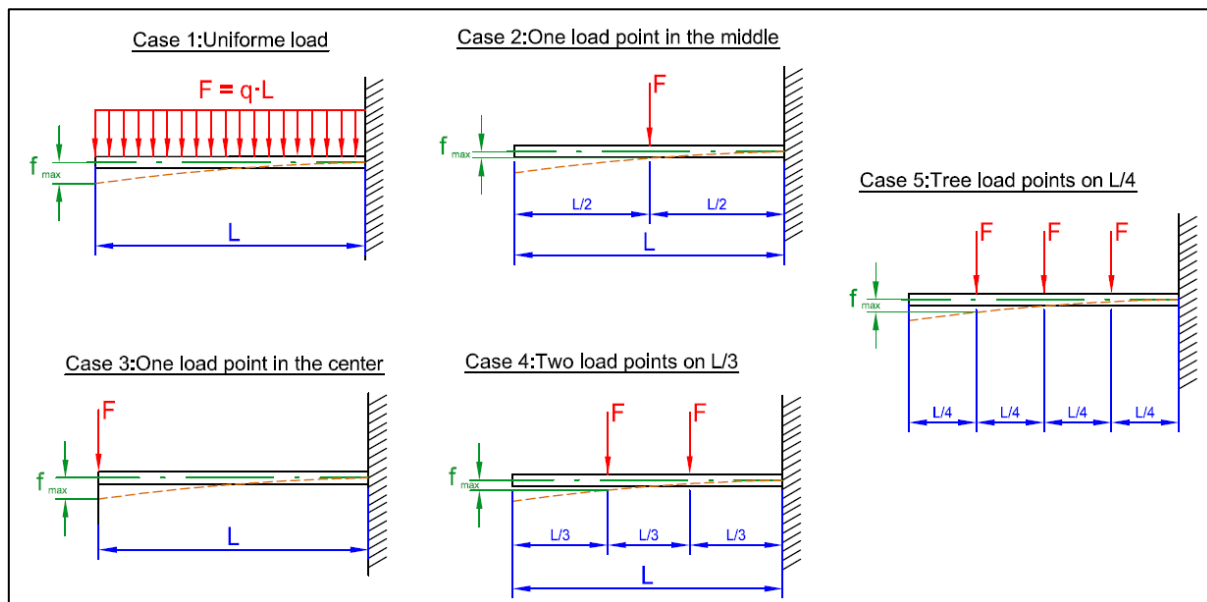


5. LOAD AND DESIGN HIPOTESIS

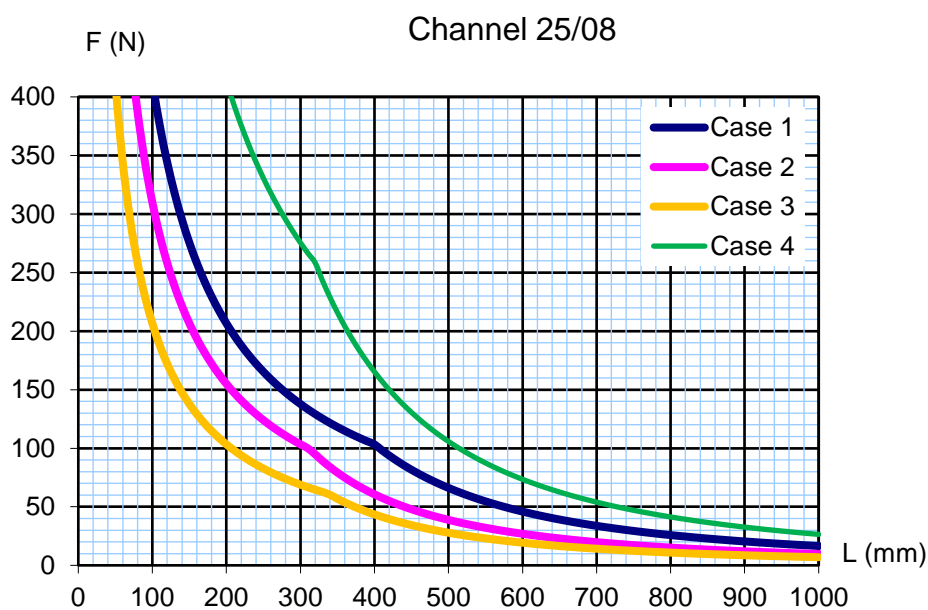
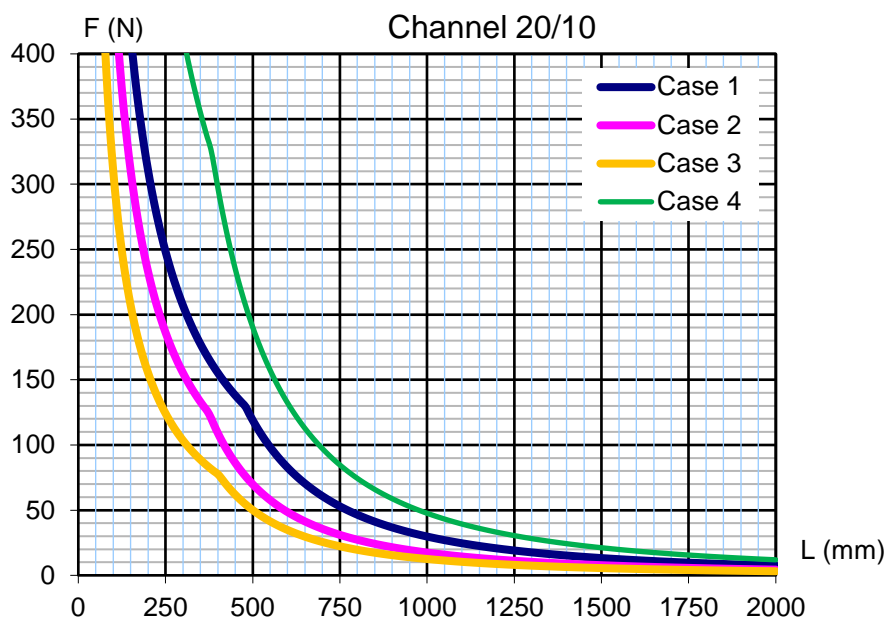
LOAD AND DESIGN HIPOTESIS FOR SLOTTED CHANNELS GP-Z



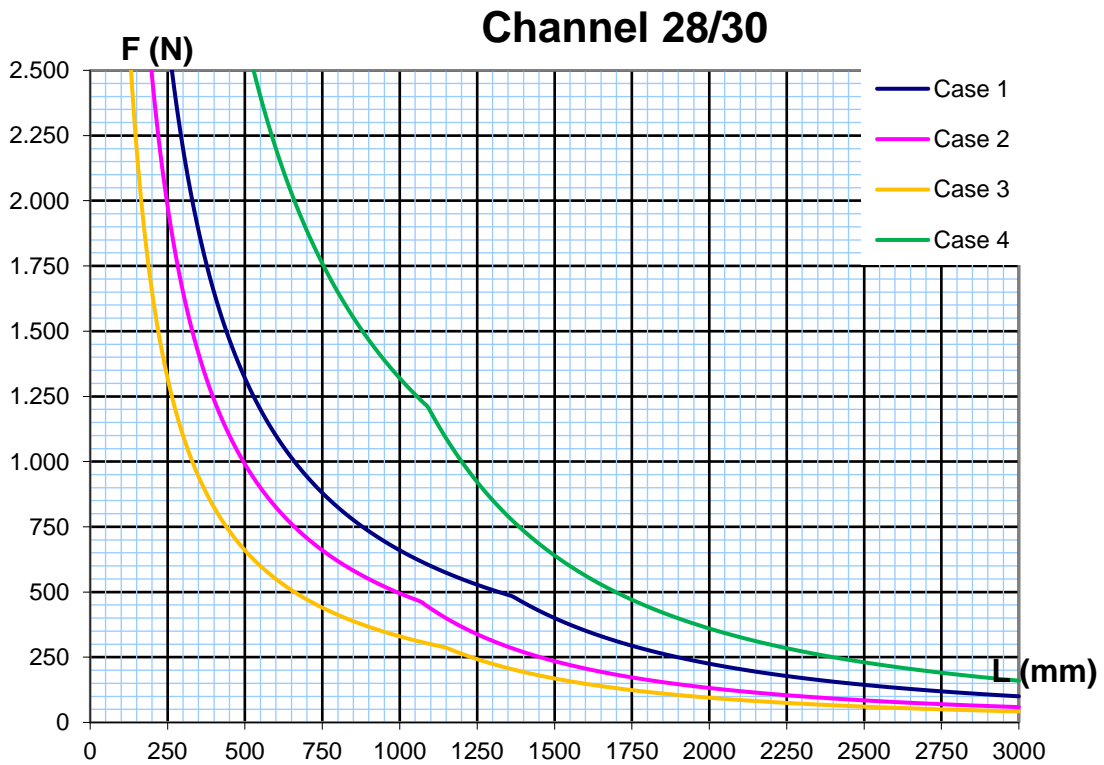
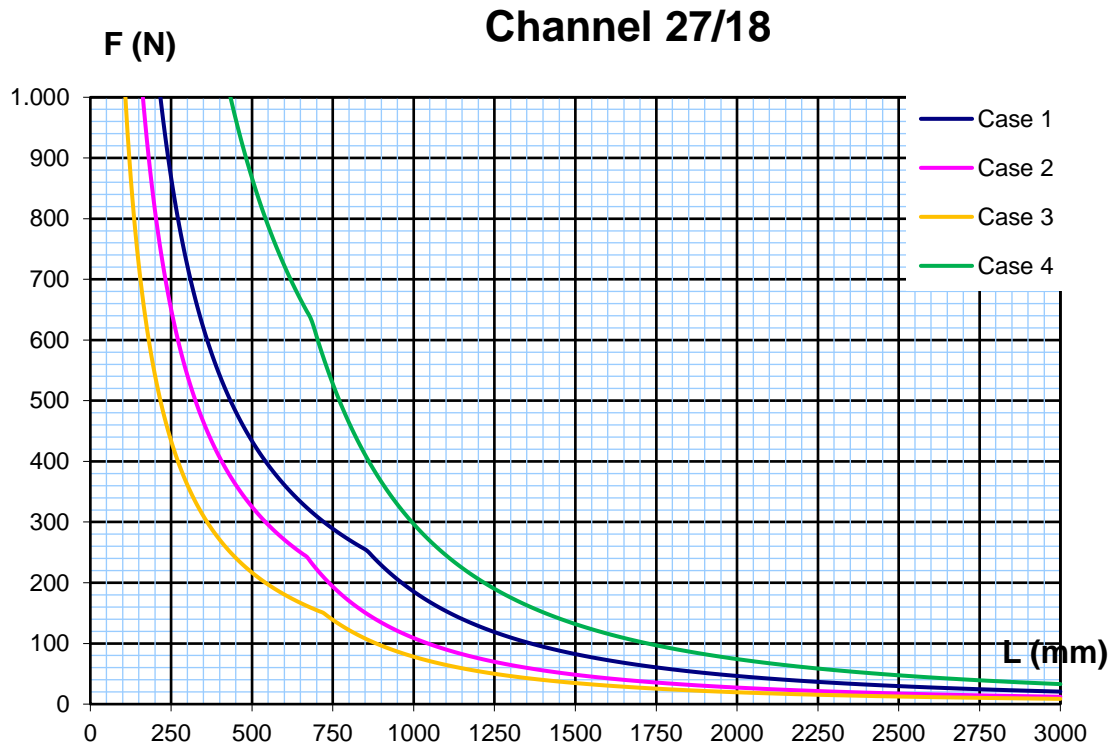
LOAD AND DESIGN HIPOTESIS FOR CANTILEVERS SP-Z

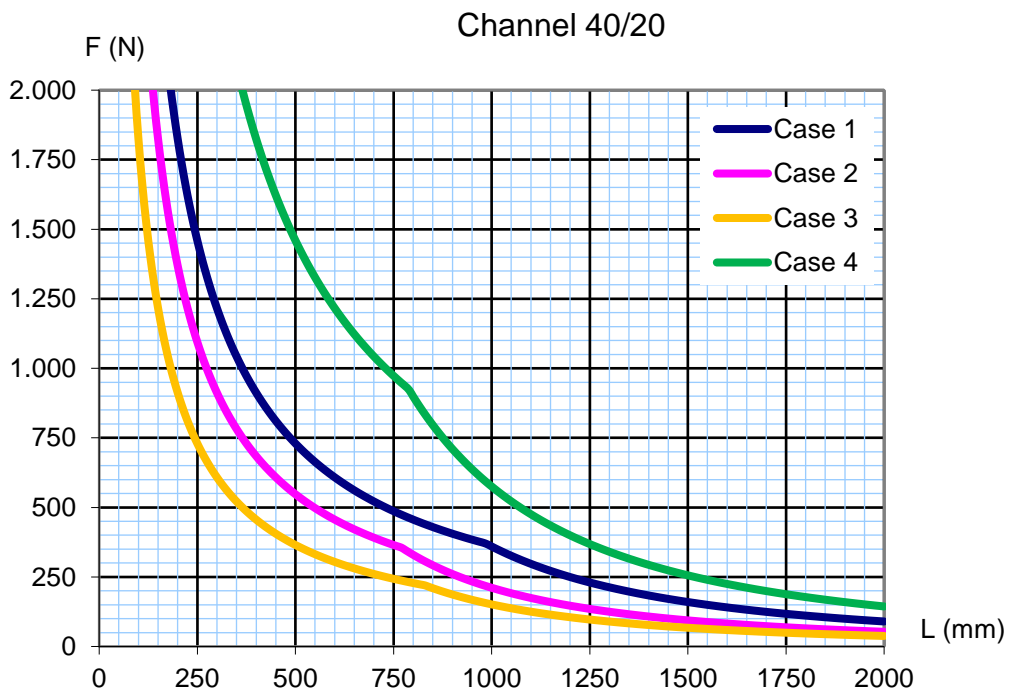
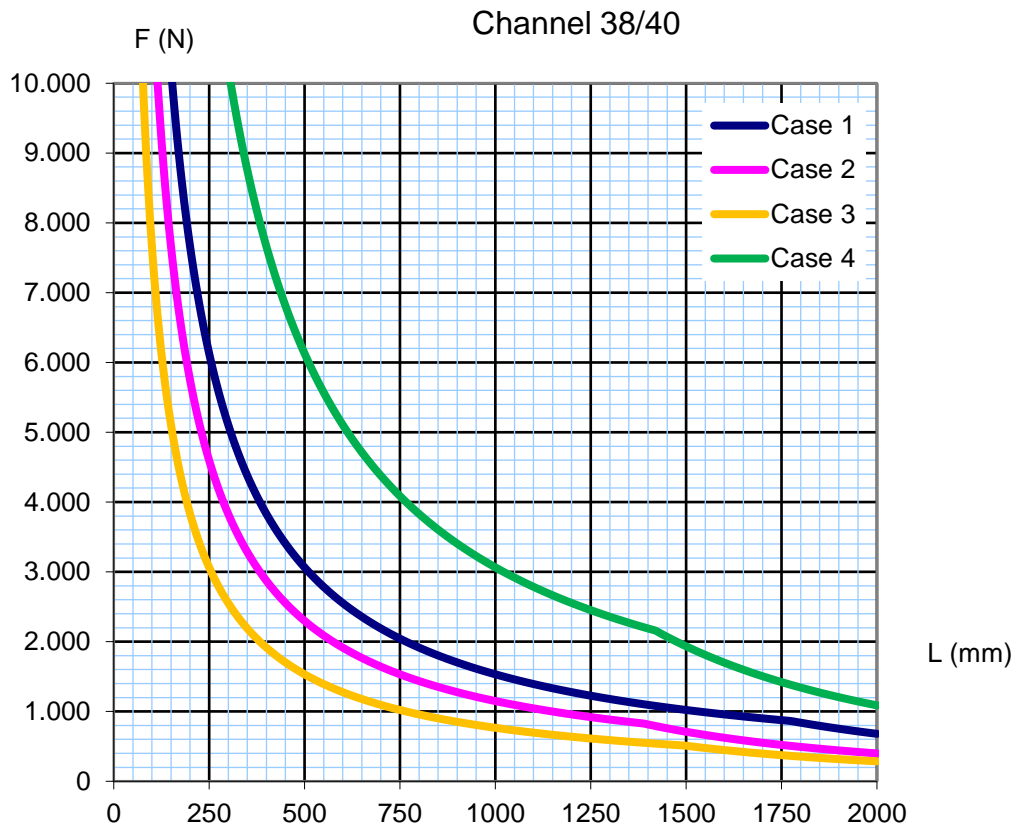


MAXIMUM RECOMMENDED LOADS FOR SLOTTED CHANNELS GP-Z

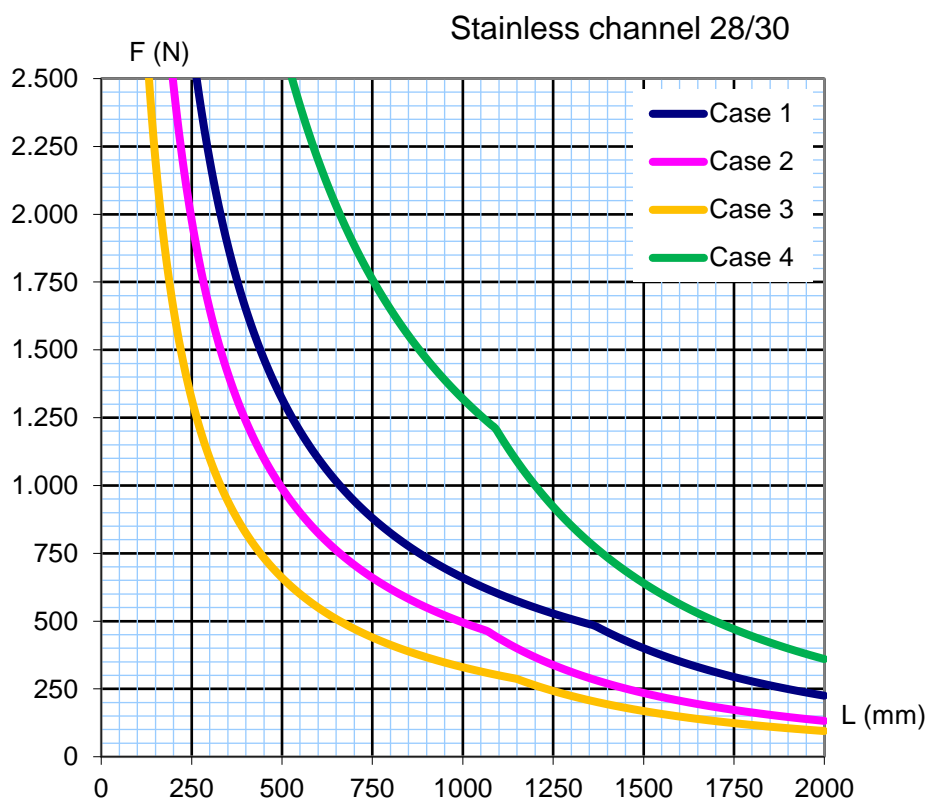
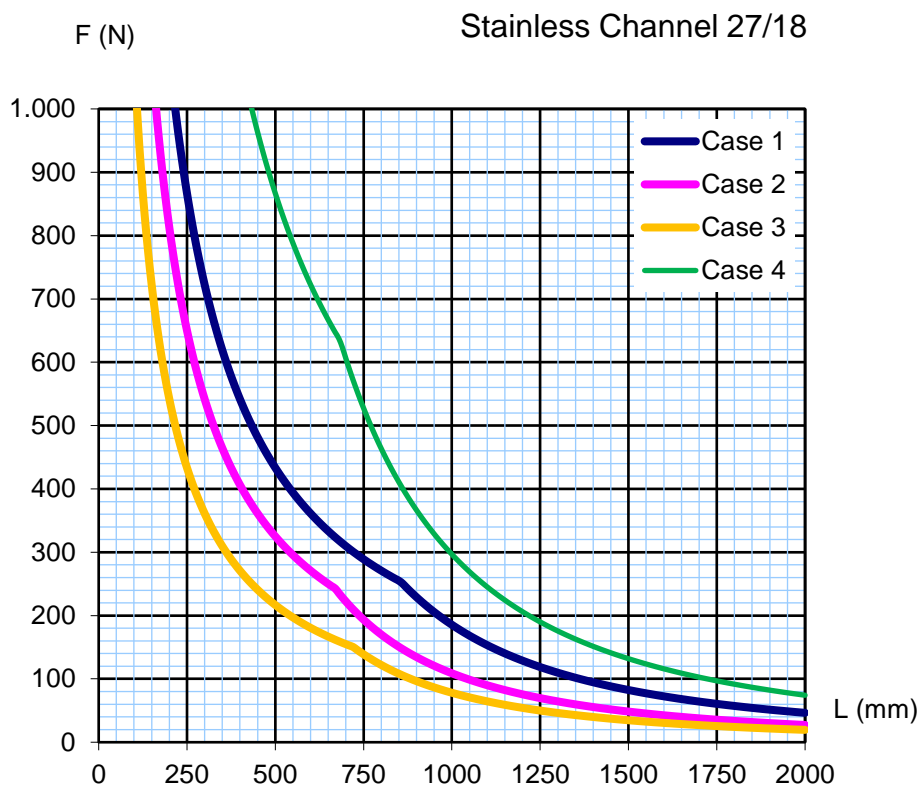


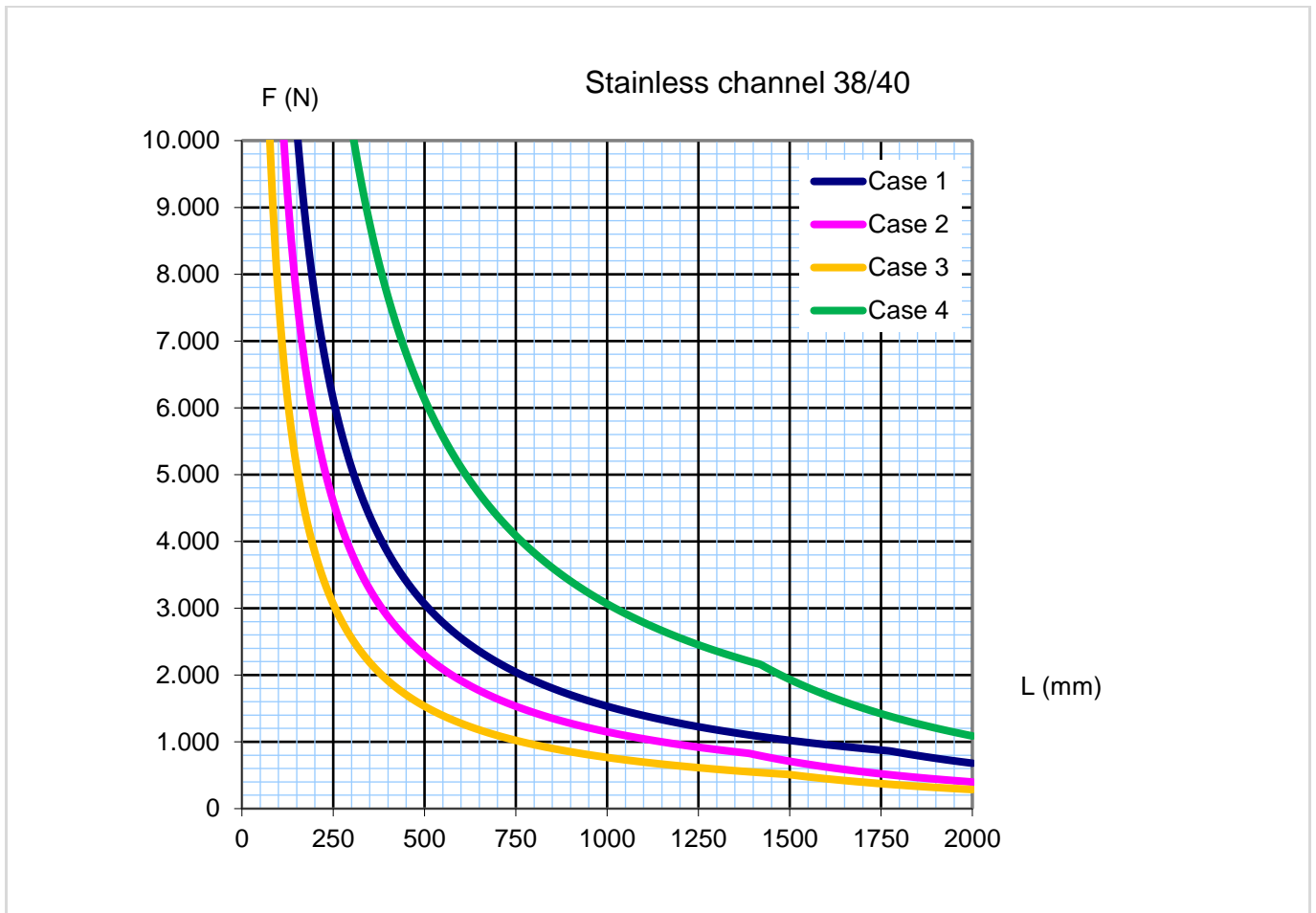
MAXIMUM RECOMMENDED LOADS FOR SLOTTED CHANNELS GP-G



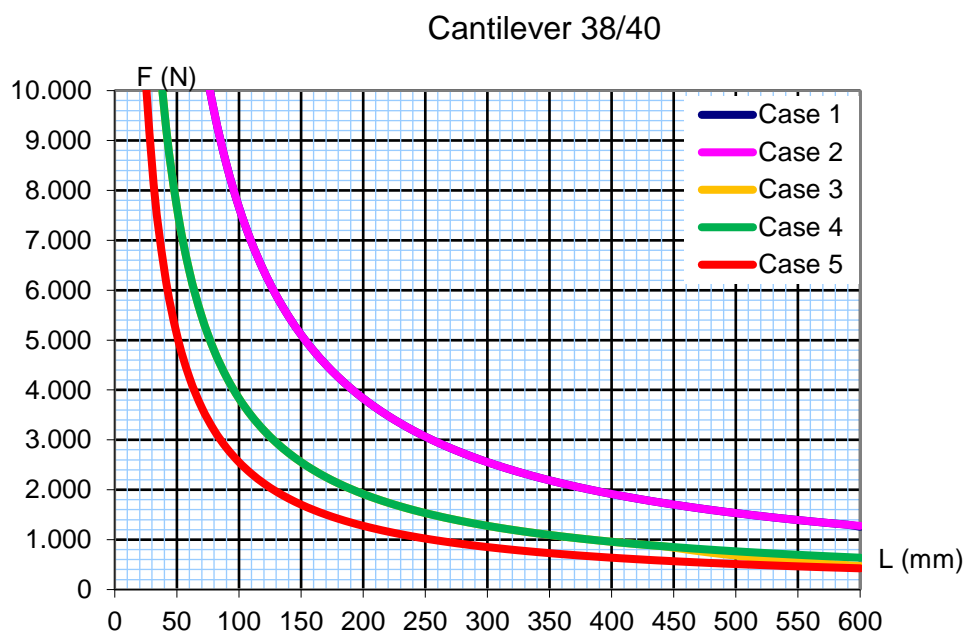
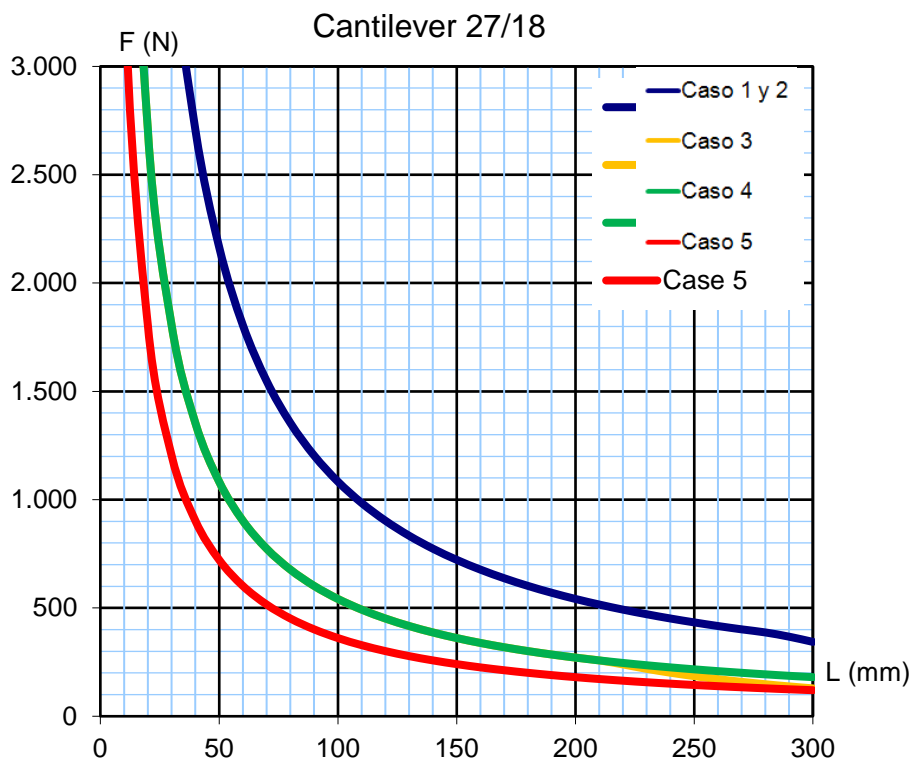


MAXIMUM RECOMMENDED LOADS FOR SLOTTED CHANNELS GP-A2





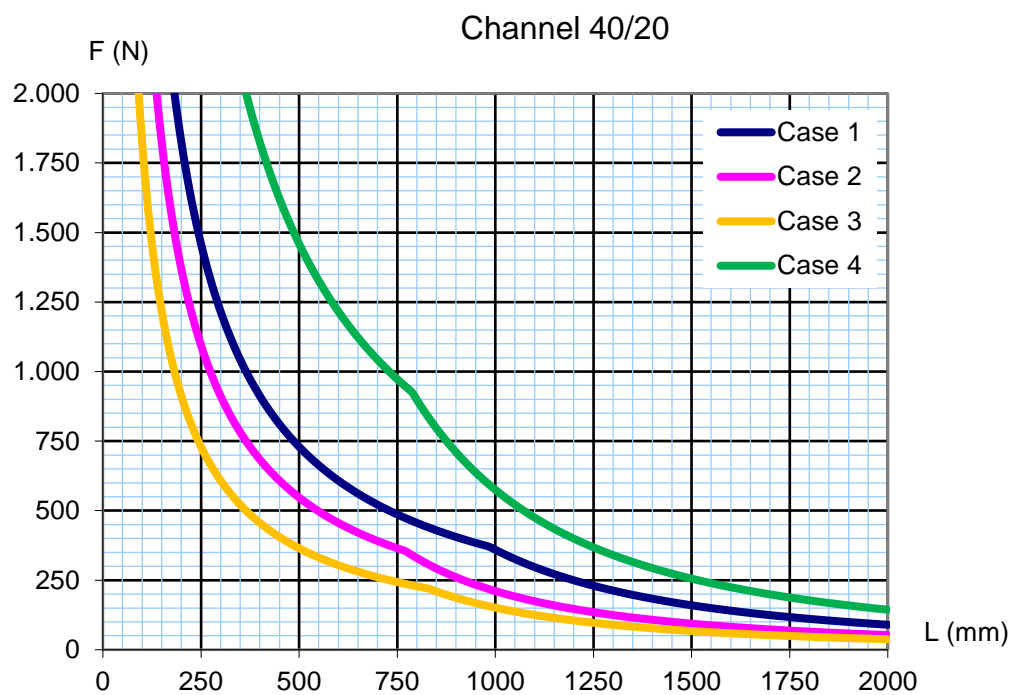
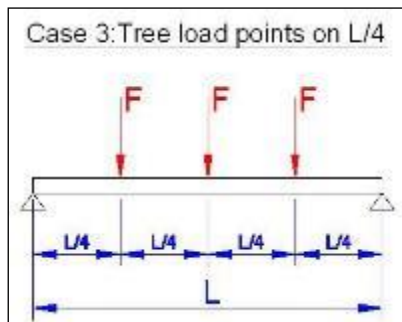
MAXIMUM RECOMMENDED LOADS FOR CANTILEVERS SP-Z



SLOTTED CHANNEL DESIGN EXAMPLE

Slotted channel design example:

Channel GPG402015: Channel length 800 mm with three clamps equally spaced at 200 mm (case 3)

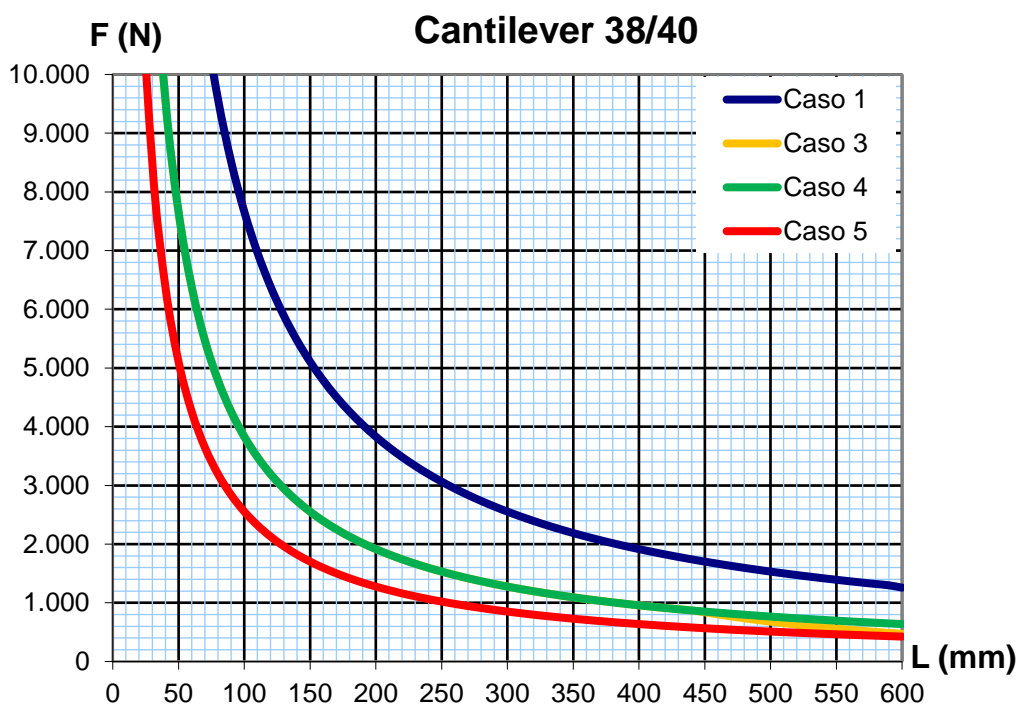
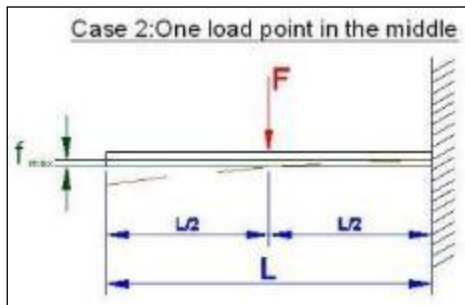


Result is an admissible load per clamp of 250 N (≈ 25 Kg).

CANTILEVER DESIGN EXAMPLE

Cantilever design example:

Cantilever SPZ384020: One pipe situated 150 mm from the wall (case 2).



Result is an admissible load of 5.000 N (\approx 500 Kg).

These admissible loads are only applicable if the cantilever is fixed with anchors complying with their guidelines of use and their corresponding applications.

Loads transmitted to the base material must be checked separately (steel and concrete)