



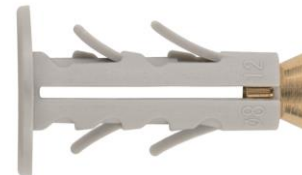
IPA-GR



IPA-GN



IPA-TO











IPA-CA

### CHARACTERISTICS

- Anchor plugs for hollow bricks and solid materials installations.
- Fast solution for installation without loading requirements.
- Use: fixing in hollow bricks, concrete hollow blocks, drywall, etc

### BASE MATERIAL



1. RANGE				
ITEM	CODE	DIMENSIONS	PHOTO	MATERIAL
1	IPA-GR	From M4 x 40 Ø9 to M5 x 45 Ø12		
2	IPA-GN	From M4 x 40 Ø9 to M5 x 45 Ø12		
3	IPA-TO	M5 x 45 Ø12		
4	IPA-CA	M4 x 30 Ø9		

**2. INSTALLATION DATA**

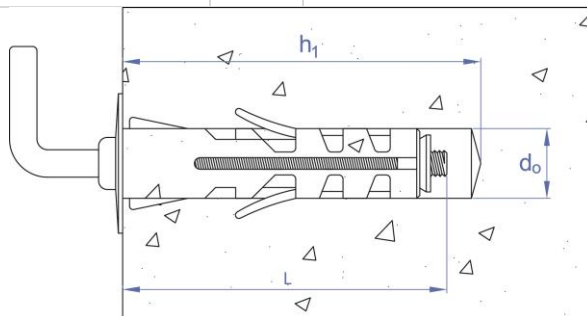
**2.1 IPA-GR**

**Square bend hook**



**Installation data**

CODE		IPAGR09	IPAGR12
Metric	[mm]	M4	M5
L: Length	[mm]	40	47
d <sub>0</sub> : Ø drill bit	[mm]	Ø9	Ø12
h <sub>1</sub> : Minimum drill hole depth	[mm]	45	50



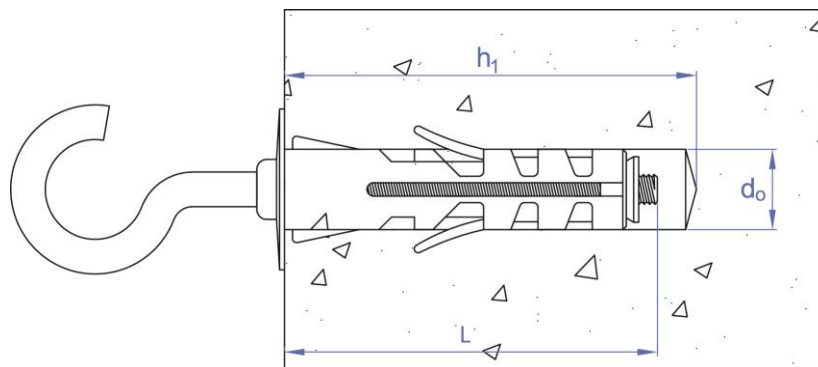
2.2 IPA-GN

Hook



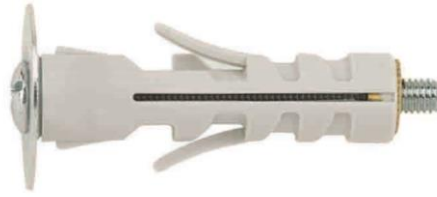
Installation data

CODE		IPAGN09	IPAGN12
Metric	[mm]	M4	M5
L: Length	[mm]	40	47
d <sub>o</sub> : Ø drill bit	[mm]	Ø9	Ø12
h <sub>1</sub> : Minimum drill hole depth	[mm]	45	50



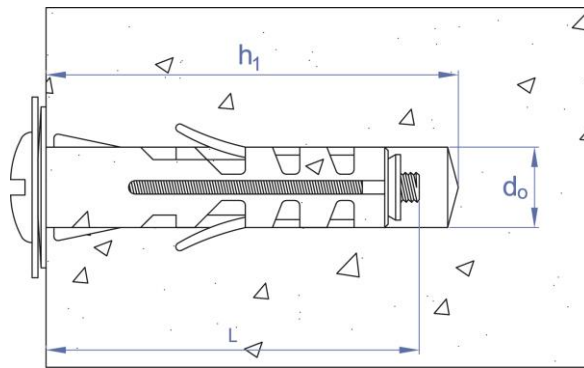
2.3 IPA-TO

Screw



Installation data

CODE		IPATO12
Metric	[mm]	M5
L: Length	[mm]	47
d <sub>o</sub> : Ø drill bit	[mm]	Ø12
h <sub>1</sub> : Minimum drill hole depth	[mm]	50



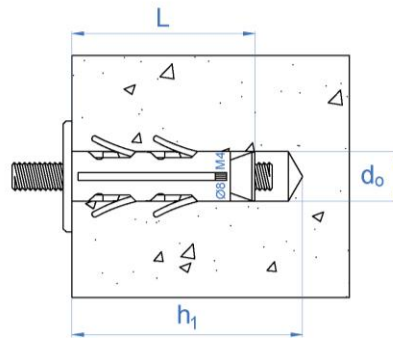
2.4 IPA-CA

Capsule



Installation Data

CODE		IPACA08	
Metric	[mm]		M4
L: Length	[mm]		40
d <sub>o</sub> : Ø drill bit	[mm]		Ø9
h <sub>1</sub> : Minimum drill hole depth	[mm]		35



3. MAXIMUM RECOMMENDED LOADS [kg]

ANCHOR CODE	IPAGR09	IPAGR12	IPAGN09	IPAGN12	IPATO12	IPACA12
UNCRACKED CONCRETE	8	12	8	12	12	8
HOLLOW BRICK	8	12	8	12	12	8