

KT-PSC



ASSESSMENTS

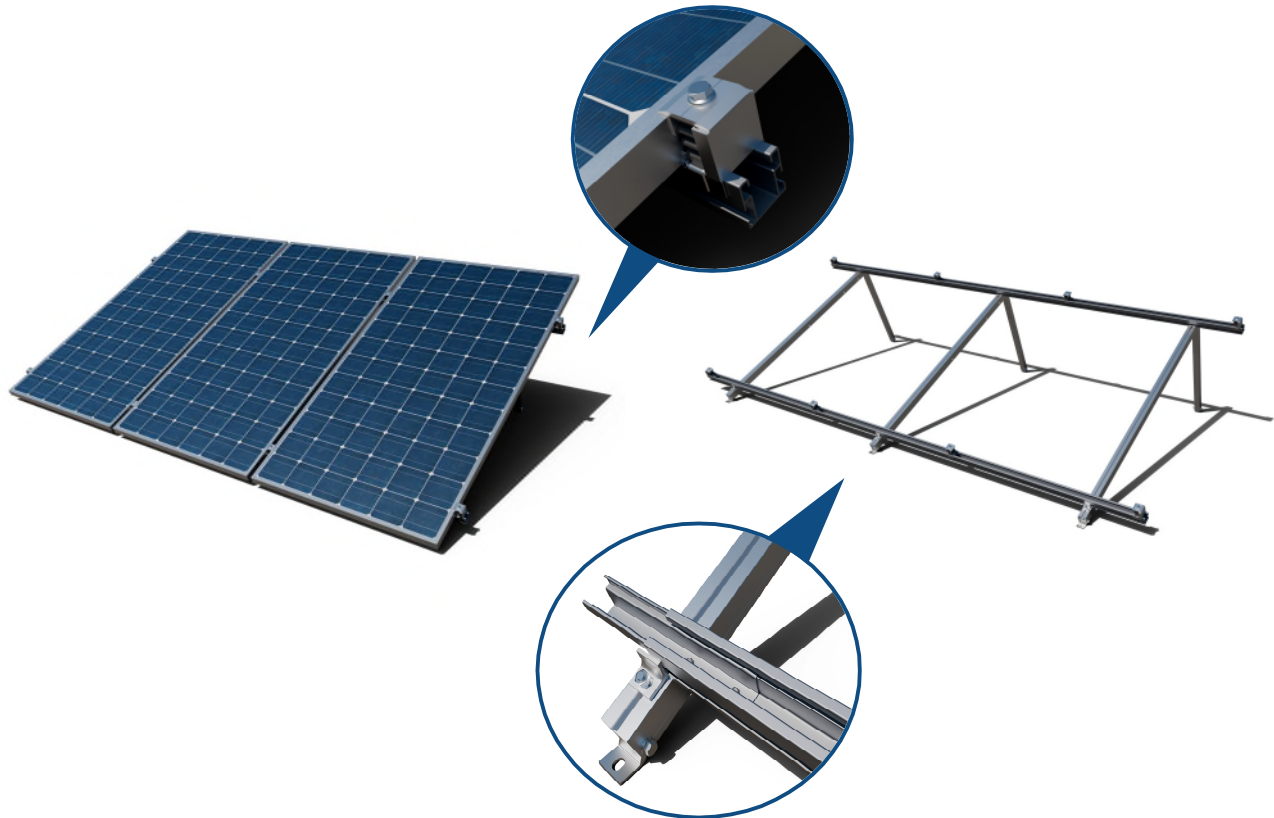


PRODUCT DESCRIPTION

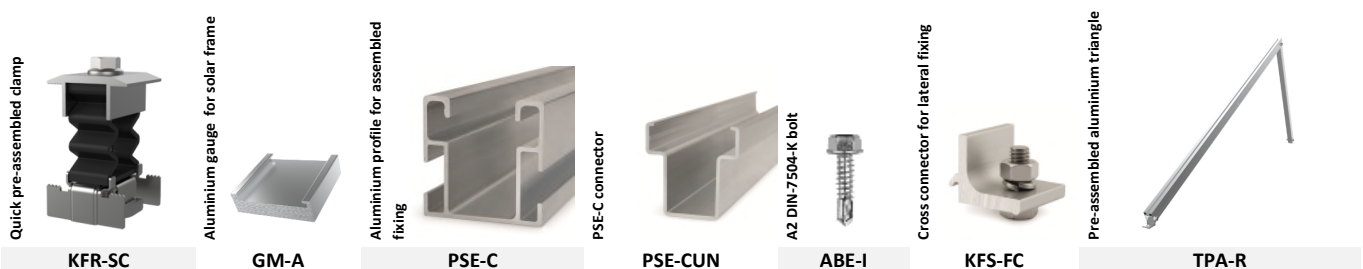
Triangular kit with PSE-C aluminium profile. Assembled fixing

CHARACTERISTICS

- Assembly kit containing the components necessary for the installation of a determined number of photovoltaic modules.
- Installation based on triangular mounting **ST-PSC** system.
- Includes quick fixing clamps **KFRSC3050** for modules.
- Includes **GM-A** gauges for heights of 30, 35 and 40 mm.
- Includes **PSE-C** aluminium profile structure in continuous format.
- Includes **PSECUN200** profile joint with **DIN-7504-K A2** installation screw set.
- Includes **TPA-R** pre-assembled triangles with three inclination options – 25°, 30° and 35°.
- Includes **KFSFCM08** lateral fixing connectors to join **PSE-C** profiles and **TPA-R** triangles from the kit.



COMPONENTS



APPLICATIONS

- Assembly of photovoltaic modules that are inclined with respect to the roof surface on flat and slightly sloping roofs.
- Installation on all roof types on pre-assembled triangles with adjustable 25°, 30° and 35° inclination.
- For modules with 35 mm- or 40 mm-high frames.
- For modules sizes up to 1150 mm wide
- Portrait view (vertical) orientation modules assembly.
- Options include direct assembly to the roof sub-structure or mounting on an auxiliary structure – consult specifications on the **ST-PSC** assembly system technical data sheet
- For maximum panels sizes up to 2000 mm high and 1150 mm wide.


1.RANGE

ITEM	CODE	PHOTO	DESCRIPTION	MODULES	FRAME	LENGTH ROW	MATERIAL		
1	KTPSC0230		Triangular kit with PSE-C aluminium profile. Assembled fixing For two modules	2	30 mm	2500 mm			
	KTPSC0235			2	35 mm	2500 mm			
	KTPSC0240			2	40 mm	2500 mm			
2	KTPSC0330		Triangular kit with PSE-C aluminium profile. Assembled fixing For three modules	3	30 mm	3750 mm			
	KTPSC0335			3	35 mm	3750 mm			
	KTPSC0340			3	40 mm	3750 mm			
3	KTPSC02AM		Triangular kit with PSE-C aluminium profile. Assembled fixing For enlargement two modules	2	--	2500 mm			
	KTPSC03AM		Triangular kit with PSE-C aluminium profile. Assembled fixing For enlargement three modules	3	--	3750 mm			

2.INSTALLATION DATA

2.1 KTPSC02

Triangular kit with PSE-C aluminium profile. Assembled fixing
For two modules

 2 modules Reference	Component kit							
	Quick pre-assembled clamp	Aluminium gauge for solar frame	Aluminium profile for assembled	PSE-C connector	A2 DIN-7504-K bolt	Cross connector for lateral fixing	Pre-assembled aluminium triangle	
KTPSC0230 (H=30mm)	KFRSC3050 6 units	GMA030 4 units	PSEC411250 4 units	PSECUN200 2 units	ABEI5519 8 units	KFSFCM08 8 units	TPAR251500 2 units	
KTPSC0235 (H=35mm)	KFRSC3050 6 units	GMA035 4 units	PSEC411250 4 units	PSECUN200 2 units	ABEI5519 8 units	KFSFCM08 8 units	TPAR251500 2 units	
KTPSC0240 (H=40mm)	KFRSC3050 6 units	GMA034 4 units	PSEC411250 4 units	PSECUN200 2 units	ABEI5519 8 units	KFSFCM08 8 units	TPAR251500 2 units	

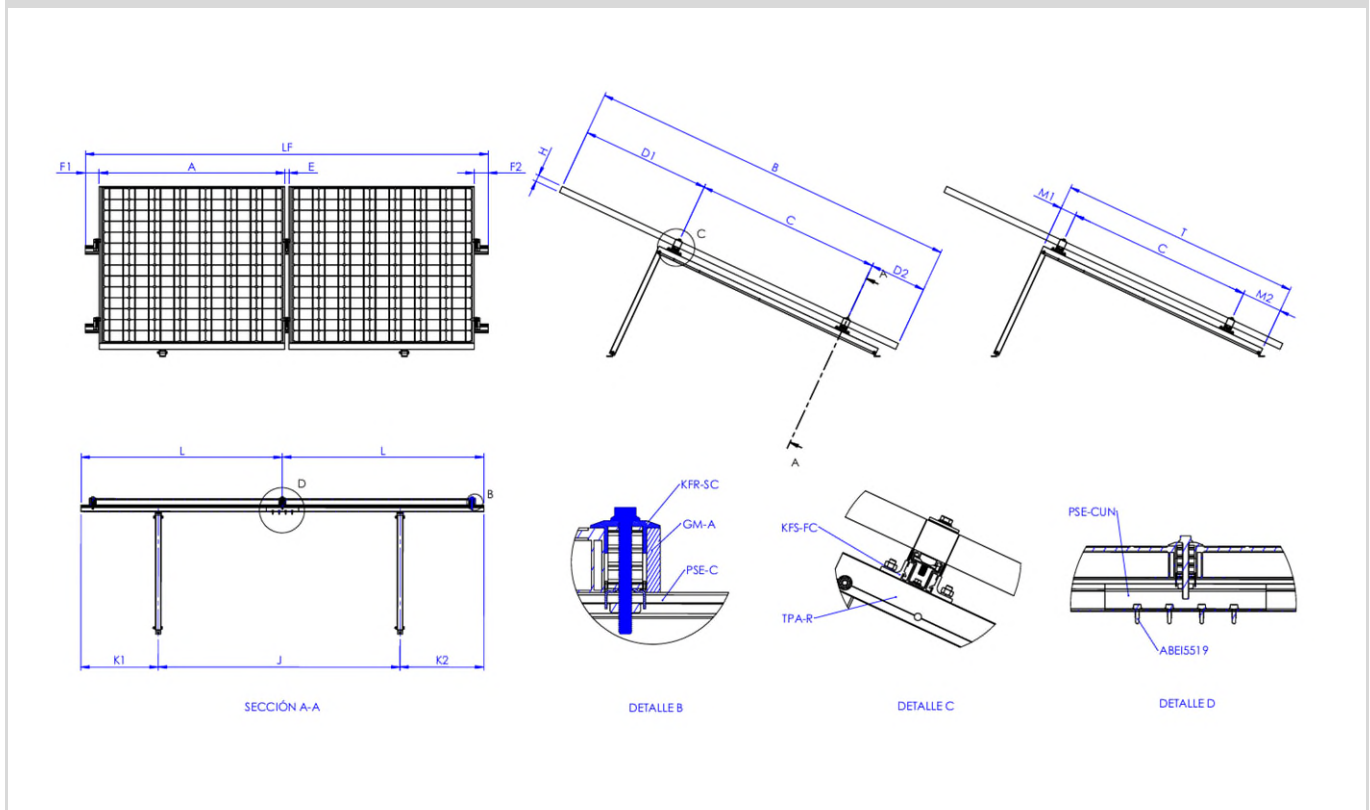
Roof/Fixing accessories

Consult technical data sheet corresponding to the ST-PSC assembly system.

Measurement table

Code	A (mm)	B (mm)	C (mm)	D (mm)	E (mm)	F (mm)	H (mm)	J (mm)	K (mm)	L (mm)	LF (mm)	M (mm)	T (mm)
KTPSC0230	≤ 1150	≤ 2100	0,5B ÷ 0,7B	0,1B ÷ 0,25B	26	≥ 35	30	1400÷1600	(LF-J) / 2	1250	2500	(T-C) / 2	1500
KTPSC0235	≤ 1150	≤ 2100	0,5B ÷ 0,7B	0,1B ÷ 0,25B	26	≥ 35	35	1400÷1600	(LF-J) / 2	1250	2500	(T-C) / 2	1500
KTPSC0240	≤ 1150	≤ 2100	0,5B ÷ 0,7B	0,1B ÷ 0,25B	26	≥ 35	40	1400÷1600	(LF-J) / 2	1250	2500	(T-C) / 2	1500

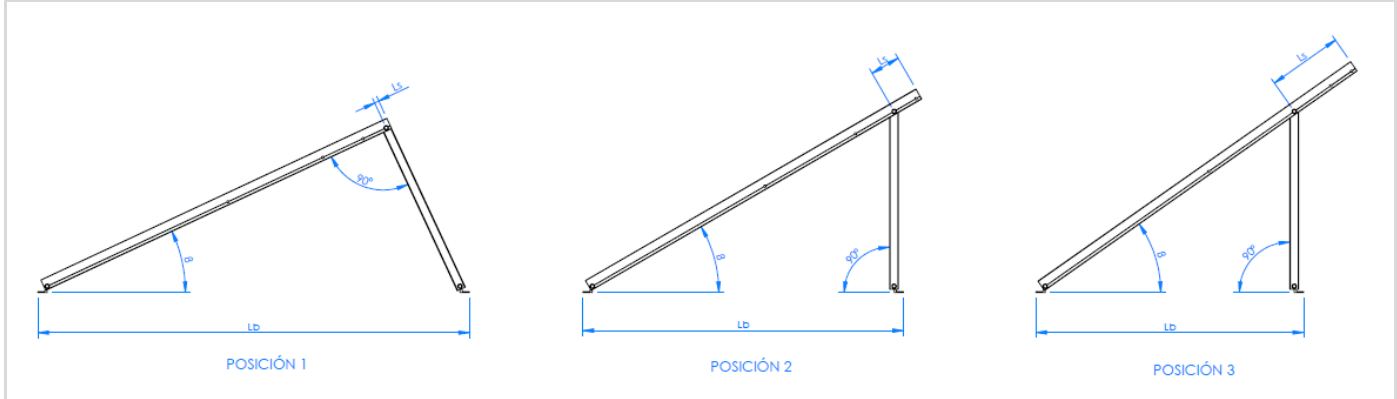
Drawing



Measurement table 2

Code	Position 1			Position 2			Position 3		
	β (°)	Ls (mm)	Lb (mm)	β (°)	Ls (mm)	Lb (mm)	β (°)	Ls (mm)	Lb (mm)
TPAR251500	25	18	1696	30	118	1260	35	293	1052

Drawing



Mechanical properties of the profile.

	Area S (cm ²)	Moment of inertia I _x (cm ⁴)	Moment of inertia I _y (cm ⁴)	Section modulus W _x (cm ³)	Section modulus W _y (cm ³)	Linear weight W (kg/m)
 Upper profile	3,01	5,15	7,52	1,76	3,76	0,81
 Profile bar	2,59	4,66	4,66	2,66	2,66	0,70
 Profile fot	3,91	3,99	4,66	1,94	1,61	1,04

2.2 KTPSC03

Triangle kit with aluminium profile (PSE-C). Assembled fixing For three modules



3 modules
Reference

KTPSC0330 (H=30mm)
KTPSC0335 (H=35mm)
KTPSC0340 (H=40mm)

Component Kit

Quick pre-assembled clamp	Aluminium gauge for solar frame	Aluminium profile for assembled fixing	PSE-C connector	A2 DIN-7504-K bolt	Cross connector for lateral fixing	Pre-assembled aluminium triangle
KFRSC3050 8 units	GMA030 4 units	PSEC411875 4 units	PSECUN200 2 units	ABE15519 8 units	KFSFC08 12 units	TPAR251500 3 units
KFRSC3050 8 units	GMA035 4 units	PSEC411875 4 units	PSECUN200 2 units	ABE15519 8 units	KFSFC08 12 units	TPAR251500 3 units
KFRSC3050 8 units	GMA040 4 units	PSEC411875 4 units	PSECUN200 2 units	ABE15519 8 units	KFSFC08 12 units	TPAR251500 3 units

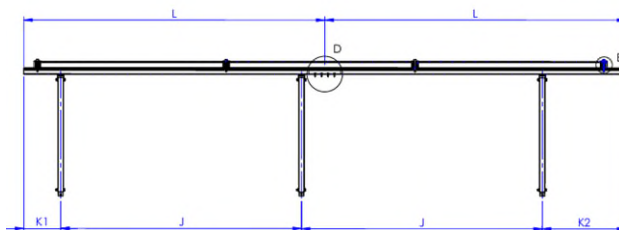
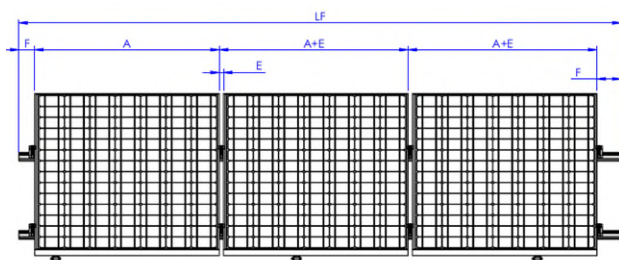
Roof/Fixing accessories

Consult technical data sheet corresponding to the ST-PSC assembly system.

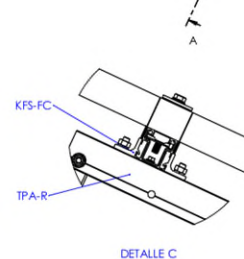
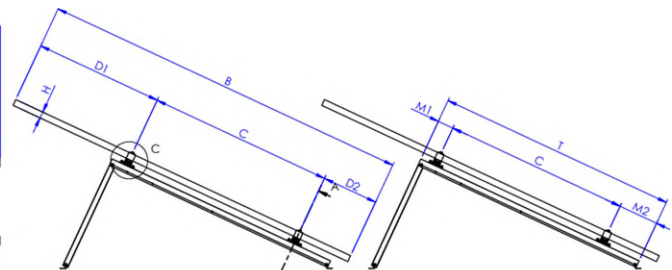
Measurement table

Code	A (mm)	B (mm)	C (mm)	D (mm)	E (mm)	F (mm)	G (mm)	H (mm)	J (mm)	K (mm)	L (mm)	LF (mm)	LU (mm)	M (mm)	T (mm)
KTPSC0330	≤ 1150	≤ 2100	0,5B ÷ 0,7B	0,1B ÷ 0,25B	26	≥ 35	50÷70	30	1300÷1500	(LF-2J) / 2	1875	3750	200	(T-C) / 2	1500
KTPSC0335	≤ 1150	≤ 2100	0,5B ÷ 0,7B	0,1B ÷ 0,25B	26	≥ 35	50÷70	35	1300÷1500	(LF-2J) / 2	1875	3750	200	(T-C) / 2	1500
KTPSC0340	≤ 1150	≤ 2100	0,5B ÷ 0,7B	0,1B ÷ 0,25B	26	≥ 35	50÷70	40	1300÷1500	(LF-2J) / 2	1875	3750	200	(T-C) / 2	1500

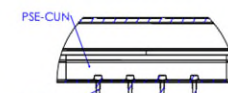
Drawing



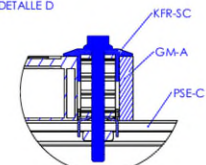
SECCIÓN A-A



DETALLE C



DETALLE D

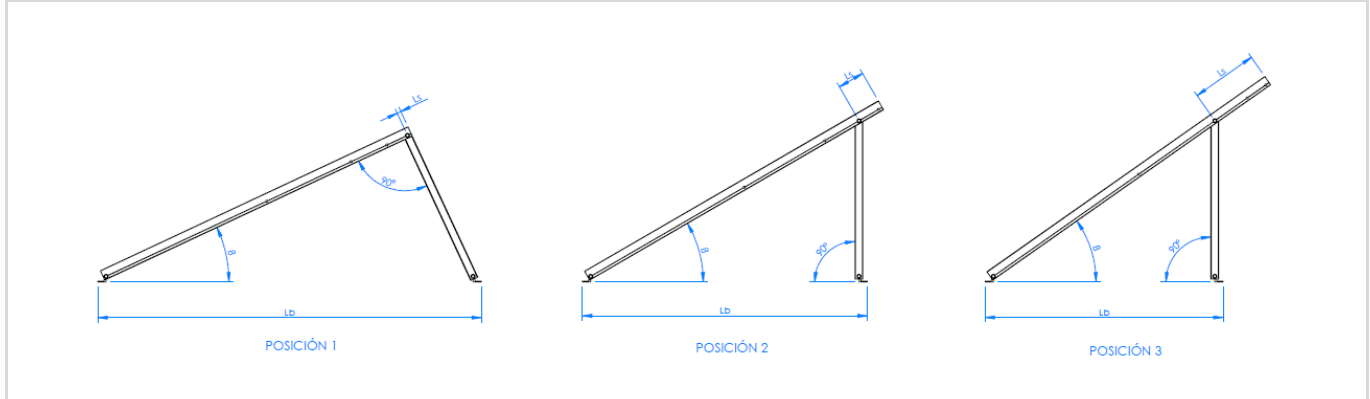


DETALLE B

Measurement table 2

Code	Position 1			Position 2			Position 3		
	β (°)	Ls (mm)	Lb (mm)	β (°)	Ls (mm)	Lb (mm)	β (°)	Ls (mm)	Lb (mm)
TPAR251500	25	18	1696	30	118	1260	35	293	1052

Drawing




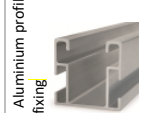
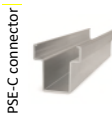





Mechanical properties of the profile.

	Area S (cm ²)	Moment of inertia I _x (cm ⁴)	Moment of inertia I _y (cm ⁴)	Section modulus W _x (cm ³)	Section modulus W _y (cm ³)	Linear weight W (kg/m)
 Upper profile	3,01	5,15	7,52	1,76	3,76	0,81
 Profile bar	2,59	4,66	4,66	2,66	2,66	0,70
 Profile fot	3,91	3,99	4,66	1,94	1,61	1,04

2.3 KTPSCAM

Triangular kit with aluminium profile (PSE-C). Assembled fixing. Enlargement for 2 and 3 modules

	 <p>2 & 3 modules Reference</p>	Component Kit					
		 <p>Quick pre-assembled clamp</p>	 <p>Aluminium profile for assembled fixing</p>	 <p>PSE-C connector</p>	 <p>A2 DIN-7504-K bolt</p>	 <p>Cross connector for lateral fixing</p>	 <p>Pre-assembled aluminium triangle</p>
KTPSC02AM	KFRSC3050 4 units	PSEC411250 4 units	PSECUN200 4 units	ABE15519 16 units	KFSFCM08 8 units	TPAR251500 2 units	
KTPSC03AM	KFRSC3050 6 units	PSEC411875 4 units	PSECUN200 4 units	ABE15519 16 units	KFSFCM08 12 units	TPAR251500 3 units	

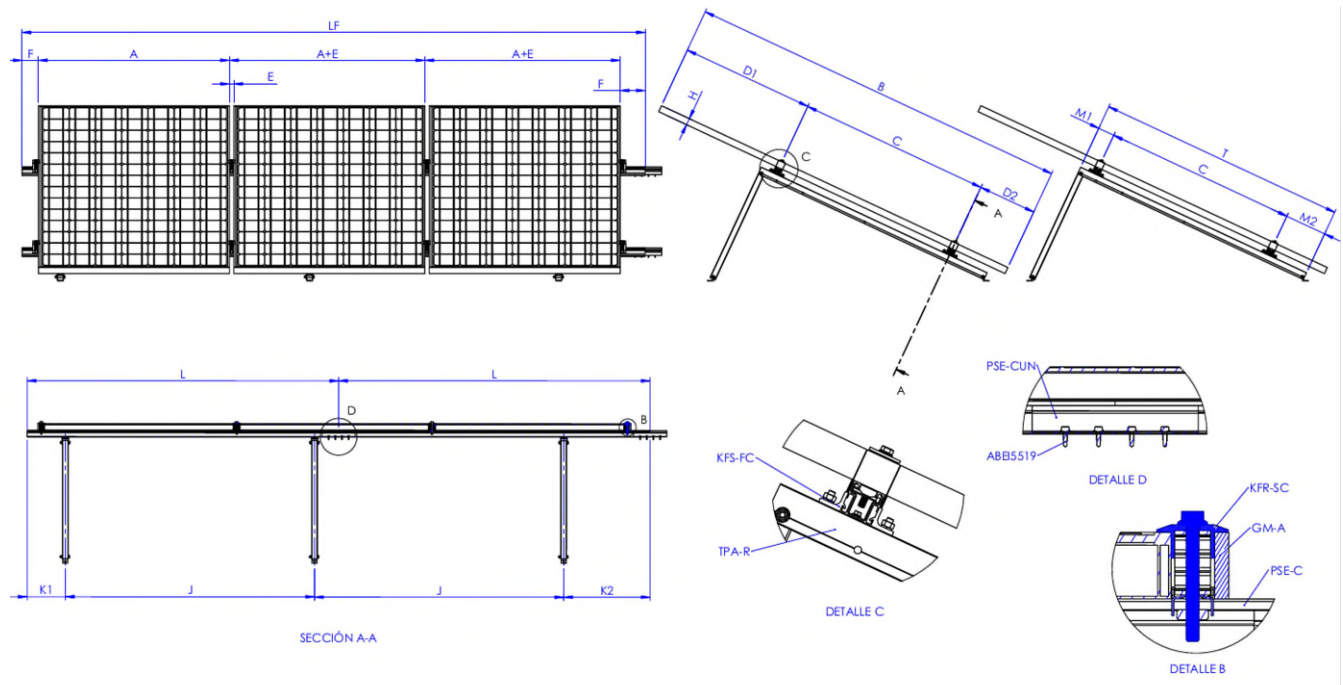
Roof/Fixing accessories

Consult technical data sheet corresponding to the ST-PSC assembly system.

Measurement table

Code	A (mm)	B (mm)	C (mm)	D (mm)	E (mm)	F (mm)	G (mm)	J (mm)	K (mm)	L (mm)	LF (mm)	LU (mm)	M (mm)	T (mm)
KTPSC02AM	≤ 1150	≤ 2100	0,5B ÷ 0,7B	0,1B ÷ 0,25B	26	≥ 35	50÷70	1300÷1500	(LF-2J) / 2	1250	2500	200	(T-C) / 2	1500
KTPSC03AM	≤ 1150	≤ 2100	0,5B ÷ 0,7B	0,1B ÷ 0,25B	26	≥ 35	50÷70	1300÷1500	(LF-2J) / 2	1875	3750	200	(T-C) / 2	1500

Drawing

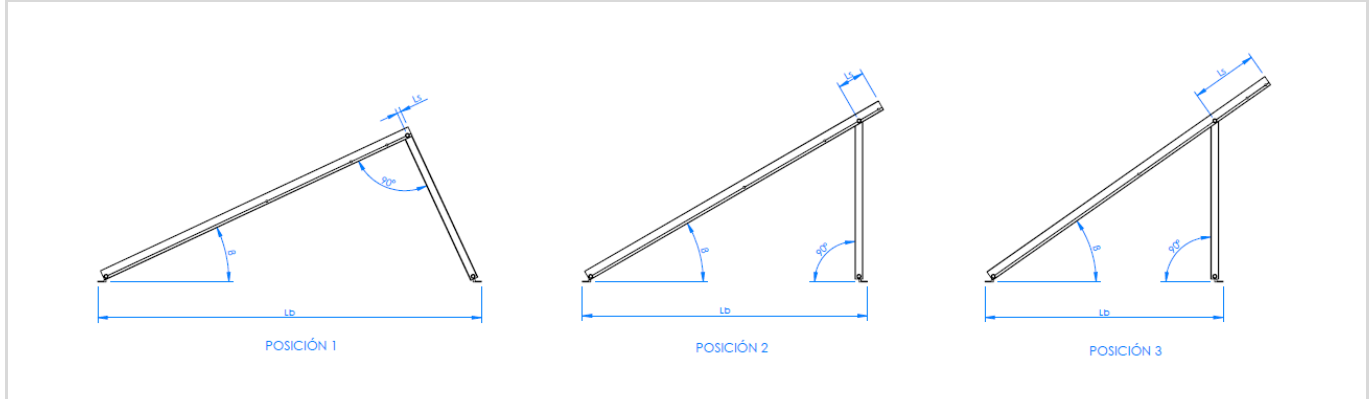


Example of enlargement kit composition 3 modules

Measurement table 2

Code	Position 1			Position 2			Position 3		
	β (°)	Ls (mm)	Lb (mm)	β (°)	Ls (mm)	Lb (mm)	β (°)	Ls (mm)	Lb (mm)
TPAR251500	25	18	1696	30	118	1260	35	293	1052

Drawing



Mechanical properties of the profile.

	Area S (cm ²)	Moment of inertia I _x (cm ⁴)	Moment of inertia I _y (cm ⁴)	Section modulus W _x (cm ³)	Section modulus W _y (cm ³)	Linear weight W (kg/m)
 Upper profile	3,01	5,15	7,52	1,76	3,76	0,81
 Profile bar	2,59	4,66	4,66	2,66	2,66	0,70
 Profile fot	3,91	3,99	4,66	1,94	1,61	1,04