

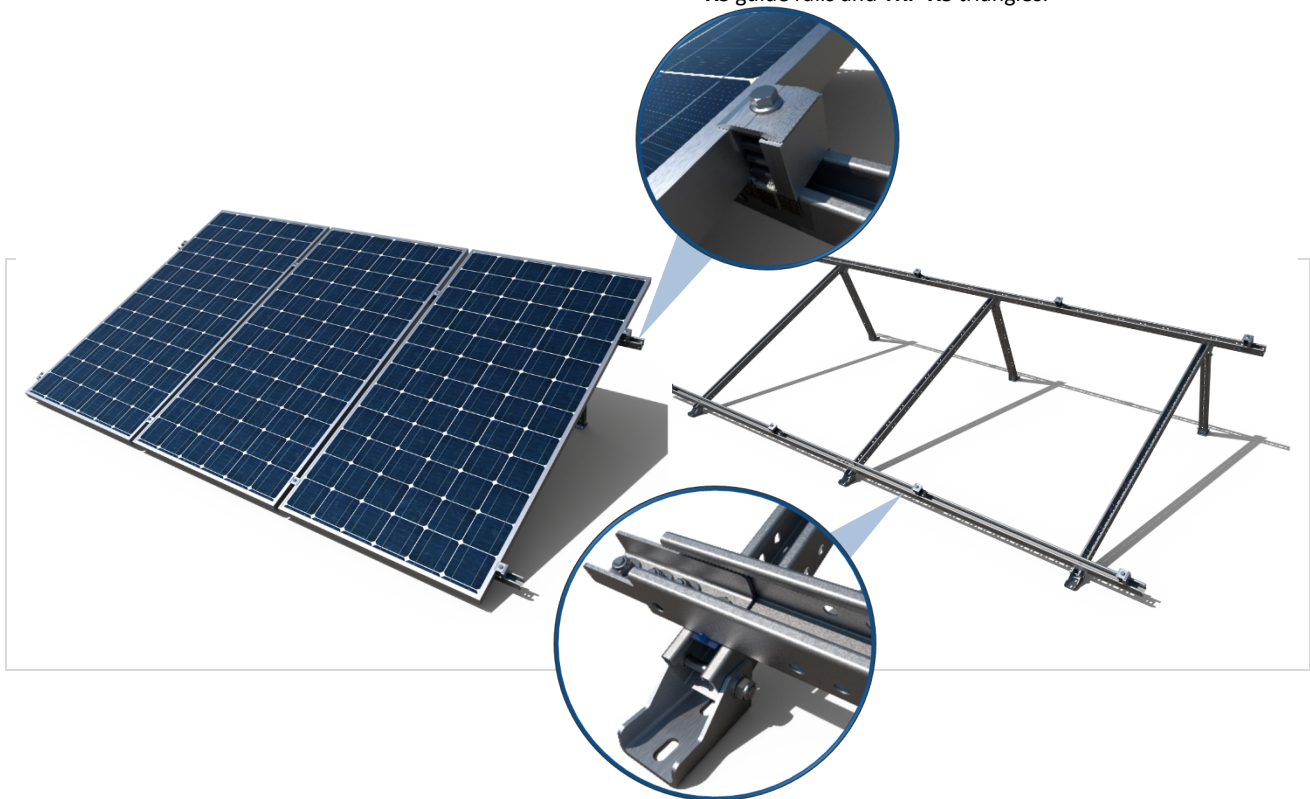
## KT-GPX

### PRODUCT DESCRIPTION

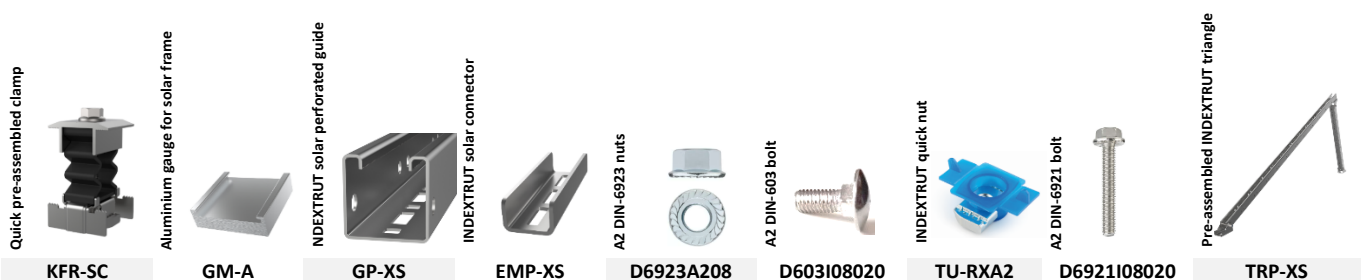
Triangular kit with perforated Steel channel Atlantis C4-M INDEXTRUT Solar (GP-XS).

### CHARACTERISTICS

- Assembly kit containing the components necessary for the installation of a determined number of solar panels.
- Installation based on **ST-GPX** triangular mounting system.
- Includes quick fixing clamps **KFRSC3050** for panels.
- Includes **GM-A**, gauges for heights of 30, 35 and 40mm.
- Includes **GP-XS** perforated guide rail structure in continuous format.
- Includes **EMPXS4115** guide rail connector with A2 **DIN-6923** nuts and **DIN-6921** bolts for installation.
- Includes **TRP-XS** pre-assembled triangles with three inclination options - 25°, 30° y 35°.
- Includes **6921I08020** bolts and **TURXA208** quick nuts to join **GP-XS** guide rails and **TRP-XS** triangles.



### COMPONENTS



### APPLICATIONS

- Assembly of solar panels that are inclined with respect to the roof surface on flat and slightly sloping roof.
- Installation on all roof types on pre-assembled triangles with three inclination options - 25°, 30° y 35°.
- For panels with 30, 35 o 40 mm-high frames.
- For plate sizes up to 1150 mm wide
- Portrait view (vertical) orientation panel assembly.
- Options included direct assembly to the roof sub-structure or mounting on an auxiliary structure – consult specifications on the **ST-GPX** assembly system technical data sheet.
- For maximum panels sizes up to 2000 mm high and 1150 mm wide.

## 1.RANGE

| ITEM | CODE      | PHOTO | DESCRIPTION   | PANELS | FRAME   | LENGTH ROW | MATERIALS                      |               |              |  |
|------|-----------|-------|---|--------|---------|------------|--------------------------------|---------------|--------------|--|
| 1    | KTGPX0230 |       | Triangular kit with perforated steel channel Atlantis C4-M INDETRUT Solar (GP-XS). For two panels               | 2      | 30 mm   | 2500 mm    | <br>Steel<br><br>Atlantis C4-M | <br>Aluminium | <br>AISI-304 |  |
|      | 2         |       |   | 35 mm  | 2500 mm |            |                                |               |              |  |
|      | 2         |       |   | 40 mm  | 2500 mm |            |                                |               |              |  |
| 2    | KTGPX0330 |       | Triangular kit with perforated steel channel Atlantis C4-M INDETRUT Solar (GP-XS) For three panels.             | 3      | 30 mm   | 3750 mm    | <br>Steel<br><br>Atlantis C4-M | <br>Aluminium | <br>AISI-304 |  |
|      | 3         |       |   | 35 mm  | 3750 mm |            |                                |               |              |  |
|      | 3         |       |   | 40 mm  | 3750mm  |            |                                |               |              |  |
| 3    | KTGPX02AM |       | Triangular kit with perforated steel channel Atlantis C4-M INDETRUT Solar (GP-XS). For enlargement two panels   | 2      | --      | 2500 mm    | <br>Steel<br><br>Atlantis C4-M | <br>Aluminium | <br>AISI-304 |  |
|      | KTGPX03AM |       | Triangular kit with perforated steel channel Atlantis C4-M INDETRUT Solar (GP-XS) For enlargement three panels. | 3      | --      | 3750 mm    |                                |               |              |  |

## 2. INSTALLATION INFORMATION

### 2.1 KTGPX02

Triangular kit with perforated steel channel Atlantis C4-M INDEXTRUT Solar (GP-XS). For two panels



| Two panels<br>Reference number | Component Kit             |                                 |                                  |                           |                       |                      |                     |                       |                                   |
|--------------------------------|---------------------------|---------------------------------|----------------------------------|---------------------------|-----------------------|----------------------|---------------------|-----------------------|-----------------------------------|
|                                | Quick pre-assembled clamp | Aluminium gauge for solar frame | INDEXTRUT solar perforated guide | INDEXTRUT solar connector | A2 DIN-603 bolt       | A2 DIN-6923 nut      | INDEXTRUT quick nut | A2 DIN-6921 bolt      | P re-assembled INDEXTRUT triangle |
| KTGPX0230<br>(H=30mm)          | KFRSC3050<br>6 units      | GMA030<br>4 units               | GPXS4115125<br>4 units           | EMPXS4115<br>2 units      | D603I08020<br>8 units | D6923IM08<br>8 units | TURXA208<br>4 units | 6921I08020<br>4 units | TRPX5412515<br>2 units            |
| KTGPX0235<br>(H=35mm)          | KFRSC3050<br>6 units      | GMA035<br>4 units               | GPXS4115125<br>4 units           | EMPXS4115<br>2 units      | D603I08020<br>8 units | D6923IM08<br>8 units | TURXA208<br>4 units | 6921I08020<br>4 units | TRPX5412515<br>2 units            |
| KTGPX0240<br>(H=40mm)          | KFRSC3050<br>6 units      | GMA040<br>4 units               | GPXS4115125<br>4 units           | EMPXS4115<br>2 units      | D603I08020<br>8 units | D6923IM08<br>8 units | TURXA208<br>4 units | 6921I08020<br>4 units | TRPX5412515<br>2 units            |

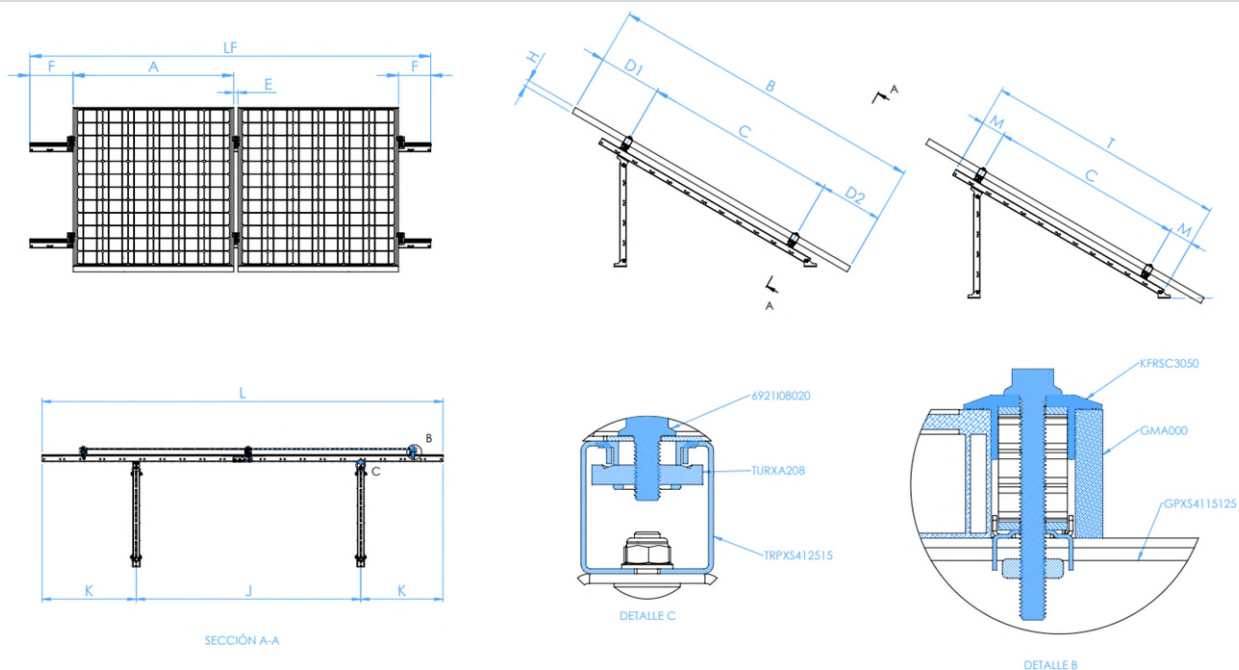
#### Roof / Fixing accessories

Consult technical data sheet corresponding to the ST-GPX assembly system.

#### Measurement table

| Code      | A<br>(mm) | B<br>(mm) | C<br>(mm)   | D<br>(mm)    | E<br>(mm) | F<br>(mm) | H<br>(mm) | J<br>(mm) | K<br>(mm)  | L<br>(mm) | LF<br>(mm) | M<br>(mm) | T<br>(mm) |
|-----------|-----------|-----------|-------------|--------------|-----------|-----------|-----------|-----------|------------|-----------|------------|-----------|-----------|
| KTGPX0230 | ≤ 1150    | ≤ 2100    | 0,5B ÷ 0,7B | 0,1B ÷ 0,25B | 26        | ≥ 35      | 30        | 1400÷1600 | (LF-J) / 2 | 1250      | 2500       | (T-C) / 2 | 1500      |
| KTGPX0235 | ≤ 1150    | ≤ 2100    | 0,5B ÷ 0,7B | 0,1B ÷ 0,25B | 26        | ≥ 35      | 35        | 1400÷1600 | (LF-J) / 2 | 1250      | 2500       | (T-C) / 2 | 1500      |
| KTGPX0240 | ≤ 1150    | ≤ 2100    | 0,5B ÷ 0,7B | 0,1B ÷ 0,25B | 26        | ≥ 35      | 40        | 1400÷1600 | (LF-J) / 2 | 1250      | 2500       | (T-C) / 2 | 1500      |

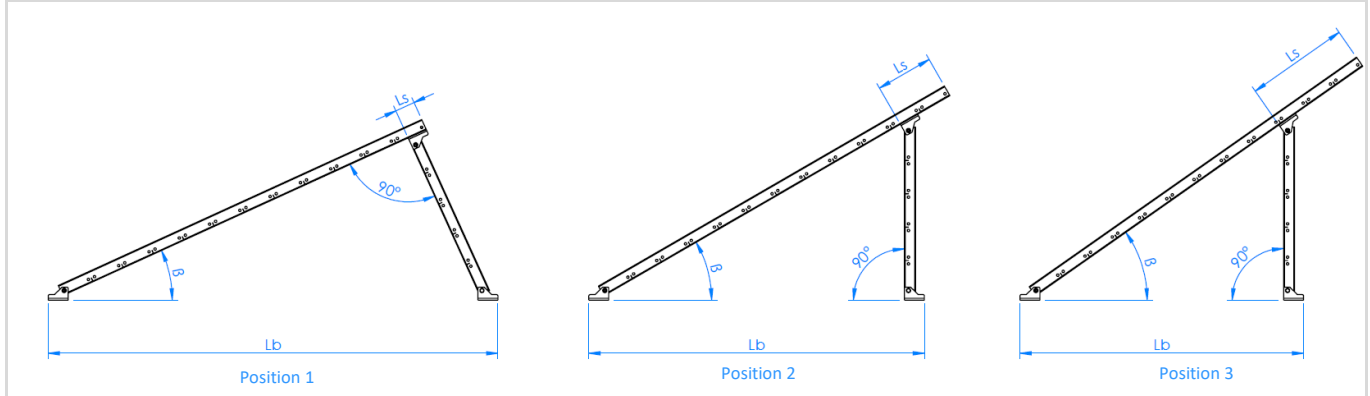
#### Drawing



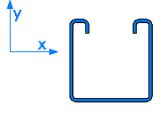
**Measurement table 2**

| Code        | Position 1     |            |            | Position 2     |            |            | Position 3     |            |            |
|-------------|----------------|------------|------------|----------------|------------|------------|----------------|------------|------------|
|             | $\beta$<br>(°) | Ls<br>(mm) | Lb<br>(mm) | $\beta$<br>(°) | Ls<br>(mm) | Lb<br>(mm) | $\beta$<br>(°) | Ls<br>(mm) | Lb<br>(mm) |
| TRPXS412515 | 25             | 75         | 1689       | 30             | 215        | 1260       | 35             | 384        | 1065       |

**Drawing**



**Mechanical properties of the guide rail.**

|   | Area<br>S<br>(cm <sup>2</sup> ) | Moment of inertia<br>I <sub>x</sub><br>(cm <sup>4</sup> ) | Moment of inertia<br>I <sub>y</sub><br>(cm <sup>4</sup> ) | Section modulus<br>W <sub>x</sub><br>(cm <sup>3</sup> ) | Section modulus<br>W <sub>y</sub><br>(cm <sup>3</sup> ) | Linear weight<br>W<br>(kg/m) |
|---|---------------------------------|---|---|---|---|------------------------------|
| <br>GP-XS | 2,13                            | 4,98  | 6,13  | 2,18  | 2,99  | 1,67                         |

## 2.2 KTGPX03

### Triangular kit with perforated steel channel Atlantis C4-M INDEXTRUT Solar (GP-XS). For three panels



| Reference number             | Component Kit             |                                 |                                  |                           |                       |                      |                     |                       |                                  |
|------------------------------|---------------------------|---------------------------------|----------------------------------|---------------------------|-----------------------|----------------------|---------------------|-----------------------|----------------------------------|
|                              | Quick pre-assembled clamp | Aluminium gauge for solar frame | INDEXTRUT solar perforated guide | INDEXTRUT solar connector | A2 DIN-603 bolt       | A2 DIN-6923 nut      | INDEXTRUT quick nut | A2 DIN-6921 bolt      | Pre-assembled INDEXTRUT triangle |
| <b>KTGPX0330</b><br>(H=30mm) | KFRSC3050<br>8 units      | GMA030<br>4 units               | GPXS4115187<br>4 units           | EMPXS4115<br>2 units      | D603I08020<br>8 units | D6923IM08<br>8 units | TURXA208<br>6 units | 6921I08020<br>6 units | TRPX5412515<br>3 units           |
| <b>KTGPX0335</b><br>(H=35mm) | KFRSC3050<br>8 units      | GMA035<br>4 units               | GPXS4115187<br>4 units           | EMPXS4115<br>2 units      | D603I08020<br>8 units | D6923IM08<br>8 units | TURXA208<br>6 units | 6921I08020<br>6 units | TRPX5412515<br>3 units           |
| <b>KTGPX0340</b><br>(H=40mm) | KFRSC3050<br>8 units      | GMA040<br>4 units               | GPXS4115187<br>4 units           | EMPXS4115<br>2 units      | D603I08020<br>8 units | D6923IM08<br>8 units | TURXA208<br>6 units | 6921I08020<br>6 units | TRPX5412515<br>3 units           |

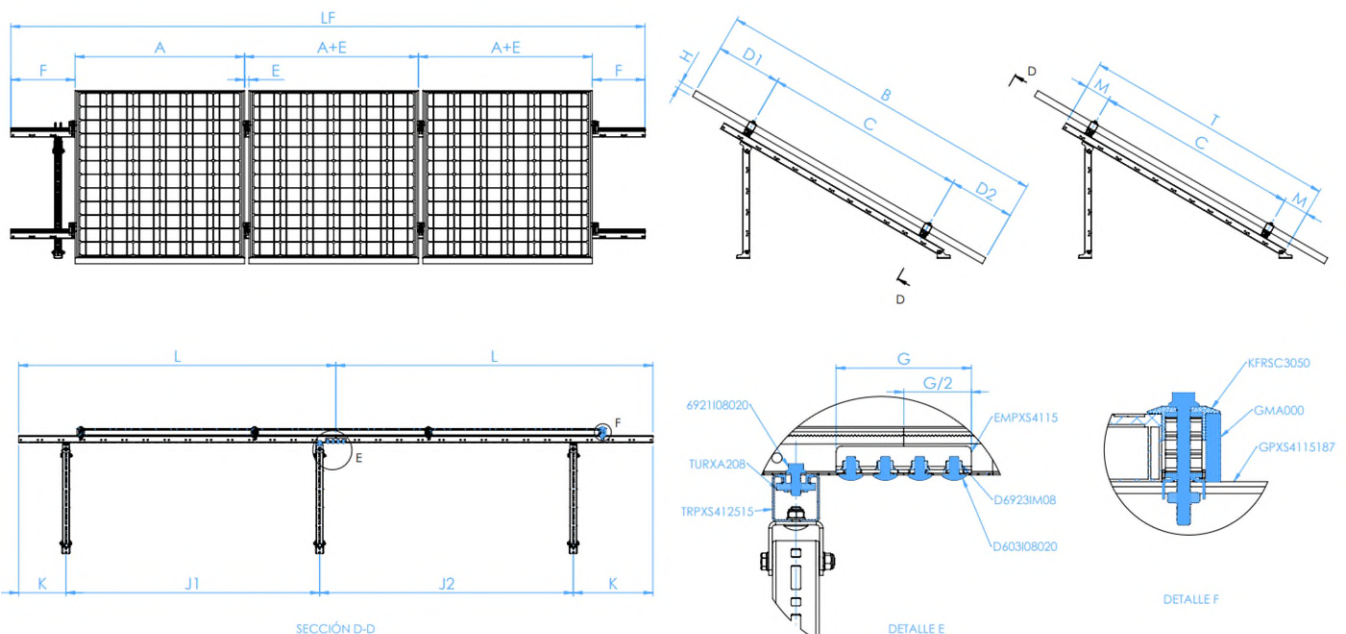
#### Roof/Fixing accessories

Consult technical data sheet corresponding to the ST-GPX assembly system

#### Measurement table

| Code      | A (mm) | B (mm) | C (mm)      | D (mm)       | E (mm) | F (mm) | G (mm) | H (mm) | J (mm)    | K (mm)         | L (mm) | LF (mm) | M (mm)    | N (mm) | T (mm) |
|-----------|--------|--------|-------------|--------------|--------|--------|--------|--------|-----------|----------------|--------|---------|-----------|--------|--------|
| KTGPX0330 | ≤ 1150 | ≤ 2100 | 0,5B ÷ 0,7B | 0,1B ÷ 0,25B | 26     | ≥ 35   | 120    | 30     | 1300÷1500 | (LF-J1-J2) / 2 | 1875   | 3750    | (T-C) / 2 | 45     | 1500   |
| KTGPX0335 | ≤ 1150 | ≤ 2100 | 0,5B ÷ 0,7B | 0,1B ÷ 0,25B | 26     | ≥ 35   | 120    | 35     | 1300÷1500 | (LF-J1-J2) / 2 | 1875   | 3750    | (T-C) / 2 | 45     | 1500   |
| KTGPX0340 | ≤ 1150 | ≤ 2100 | 0,5B ÷ 0,7B | 0,1B ÷ 0,25B | 26     | ≥ 35   | 120    | 40     | 1300÷1500 | (LF-J1-J2) / 2 | 1875   | 3750    | (T-C) / 2 | 45     | 1500   |

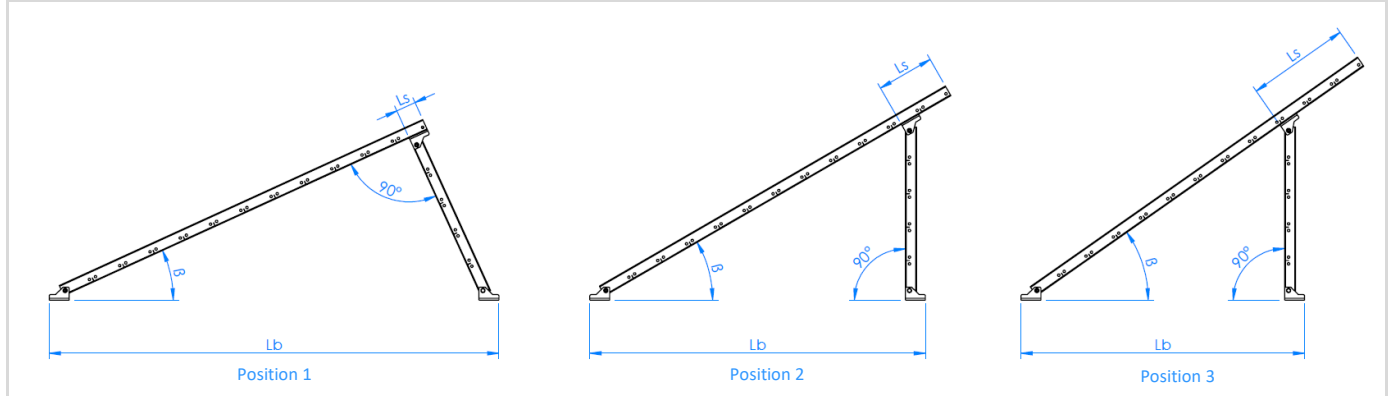
#### Drawing



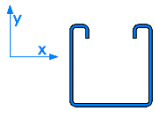
Measurement table 2

| Code        | Position 1     |            |            | Position 2     |            |            | Position 3     |            |            |
|-------------|----------------|------------|------------|----------------|------------|------------|----------------|------------|------------|
|             | $\beta$<br>(°) | Ls<br>(mm) | Lb<br>(mm) | $\beta$<br>(°) | Ls<br>(mm) | Lb<br>(mm) | $\beta$<br>(°) | Ls<br>(mm) | Lb<br>(mm) |
| TRPXS412515 | 25             | 75         | 1689       | 30             | 215        | 1260       | 35             | 384        | 1065       |

Drawing

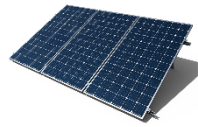


Mechanical properties of the guide rail.

|   | Area<br>S<br>(cm <sup>2</sup> ) | Moment of inertia<br>$I_x$<br>(cm <sup>4</sup> ) | Moment of inertia<br>$I_y$<br>(cm <sup>4</sup> ) | Section modulus<br>$W_x$<br>(cm <sup>3</sup> ) | Section modulus<br>$W_y$<br>(cm <sup>3</sup> ) | Linear weight<br>W<br>(kg/m) |
|---|---------------------------------|--|--|--|--|------------------------------|
| <br>GP-XS | 2,13                            | 4,98   | 6,13   | 2,18   | 2,99   | 1,67                         |

## 2.2 KTGPXAM

Triangular kit with perforated steel channel Atlantis C4-M INDEXTRUT Solar (GP-XS). Enlargement for 2 and 3panels



2 & 3 panels  
Reference number

### Component Kit

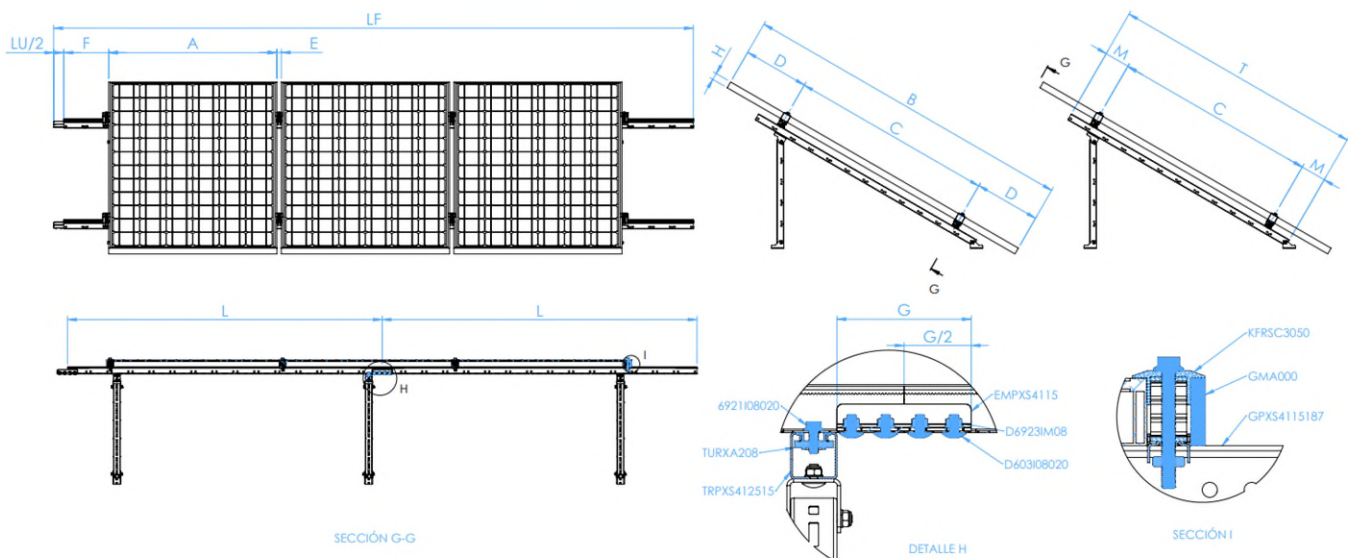
| Reference number | Quick pre-assembled clamp | INDEXTRUT solar perforated guide | INDEXTRUT solar connector | A2 DIN-603 bolt        | A2 DIN-6923 nut       | INDEXTRUT quick nut | A2 DIN-6921 bolt      | Preassembled INDEXTRUT triangle |
|------------------|---------------------------|----------------------------------|---------------------------|------------------------|-----------------------|---------------------|-----------------------|---------------------------------|
| <b>KTGPX02AM</b> | KFRSC3050<br>4 units      | GPXS4115125<br>4 units           | EMPXS4115<br>4 units      | D603I08020<br>16 units | D6923IM08<br>16 units | TURXA208<br>4 units | 6921I08020<br>4 units | TRPX5412515<br>2 units          |
| <b>KTGPX03AM</b> | KFRSC3050<br>6 units      | GPXS4115187<br>4 units           | EMPXS4115<br>4 units      | D603I08020<br>16 units | D6923IM08<br>16 units | TURXA208<br>6 units | 6921I08020<br>6 units | TRPX5412515<br>3 units          |

### Roof/fixing accessories

Consult technical data sheet corresponding to the ST-GPX assembly system.

| Code      | A (mm) | B (mm) | C (mm)      | D (mm)       | E (mm) | F (mm) | G (mm) | J (mm)    | K (mm)         | L (mm) | LF (mm) | LU (mm) | M (mm)    | T (mm) |
|-----------|--------|--------|-------------|--------------|--------|--------|--------|-----------|----------------|--------|---------|---------|-----------|--------|
| KTGPX02AM | ≤ 1150 | ≤ 2100 | 0,5B ÷ 0,7B | 0,1B ÷ 0,25B | 26     | ≥ 35   | 120    | 1300÷1500 | (LF-J1-J2) / 2 | 1250   | 2500    | 200     | (T-C) / 2 | 1500   |
| KTGPX03AM | ≤ 1150 | ≤ 2100 | 0,5B ÷ 0,7B | 0,1B ÷ 0,25B | 26     | ≥ 35   | 120    | 1300÷1500 | (LF-J1-J2) / 2 | 1875   | 3750    | 200     | (T-C) / 2 | 1500   |

### Drawing

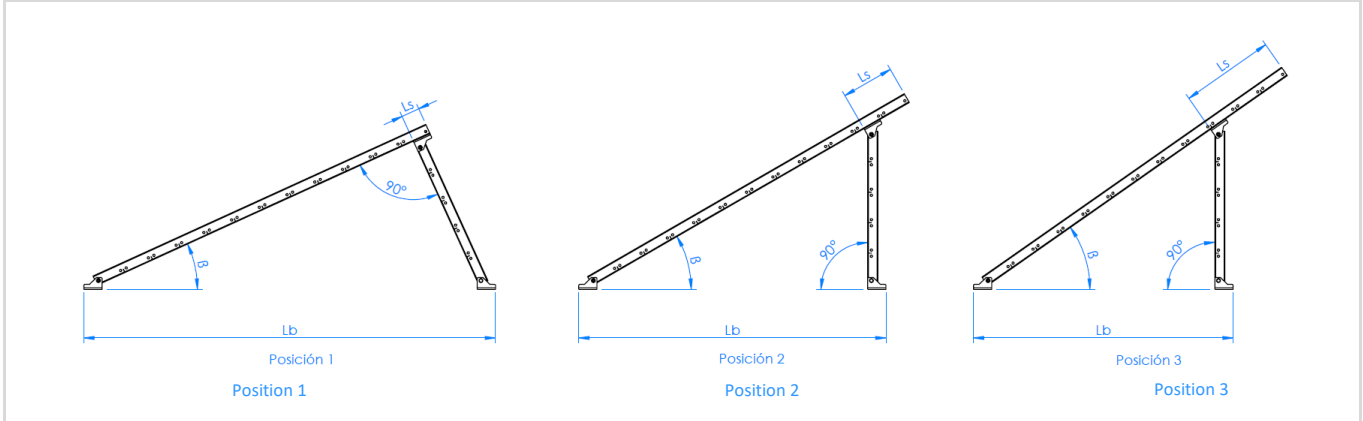


Example of enlargement kit composition 3 panels

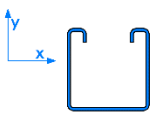
Measurement table 2

| Code        | Position 1     |            |            | Position 2     |            |            | Position 3     |            |            |
|-------------|----------------|------------|------------|----------------|------------|------------|----------------|------------|------------|
|             | $\beta$<br>(°) | Ls<br>(mm) | Lb<br>(mm) | $\beta$<br>(°) | Ls<br>(mm) | Lb<br>(mm) | $\beta$<br>(°) | Ls<br>(mm) | Lb<br>(mm) |
| TRPXS412515 | 25             | 75         | 1689       | 30             | 215        | 1260       | 35             | 384        | 1065       |

Drawing



Mechanical properties of the guide rail

|   | Area<br>S<br>(cm <sup>2</sup> ) | Moment of inertia<br>I <sub>x</sub><br>(cm <sup>4</sup> ) | Moment of inertia<br>I <sub>y</sub><br>(cm <sup>4</sup> ) | Section modulus<br>W <sub>x</sub><br>(cm <sup>3</sup> ) | Section modulus<br>W <sub>y</sub><br>(cm <sup>3</sup> ) | Linear weight<br>W<br>(kg/m) |
|---|---------------------------------|---|---|---|---|------------------------------|
| <br>GP-XS | 2,13                            | 4,98  | 6,13  | 2,18  | 2,99  | 1,67                         |