

AR-FO



GA-FO



GE-SP

CHARACTERISTICS

- Hook and eye bolts with metric thread.
- Forged steel (AR-FO y GA-FO) and stamped steel (GE-SP).
- Valid for different applications.
- Variety of metrics, formats and lengths: installation flexibility.
- Zinc-plated coating.

APPLICATION EXAMPLES



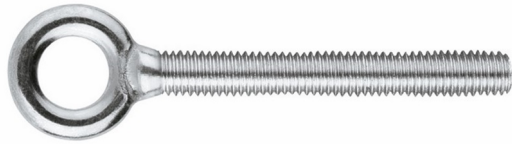
1. RANGE

ITEM	CODE	PHOTO	THREAD	COATING	MATERIAL
1	AR-FO				Forged carbon steel Coating: zinc-plated $\geq 5 \mu\text{m}$ s/ISO 4042
2	GA-FO				Forged carbon steel Coating: zinc-plated $\geq 5 \mu\text{m}$ s/ISO 4042
3	GE-SP				Stamped carbon steel Coating: zinc-plated $\geq 5 \mu\text{m}$ s/ISO 4042

## 2. INSTALLATION DATA

### 2.1 AR-FO

#### Forged eye bolt



#### Properties



Steel



Zinc-plated coating

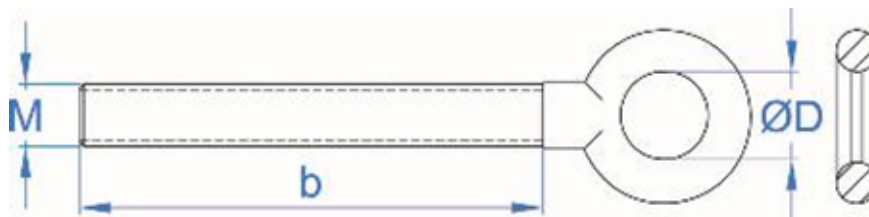


Metric Thread

#### Installation data

CODE		ARFOM06Z	ARFOM08Z	ARFOM10Z	ARFOM12Z	ARFOM16Z
<b>M: Metric</b>	[mm]	6	8	10	12	16
<b>b: Thread length</b>	[mm]	55	60	73	90	110
<b>ØD: Inside diameter</b>	[mm]	10	11,8	14,5	17	23,5
<b>N<sub>Rk</sub>: Characteristic resistance</b>	[kN]	4,21	11,43	15,86	16,89	70,02
<b>γ<sub>M</sub>: Safety factor</b>	[--]	1,40	1,40	1,40	1,40	1,40
<b>N<sub>Rd</sub>: Design resistance*</b>	[kN]	3,00	8,16	11,33	12,07	50,01

#### DRAWING



\* In case of using it in combination with an anchor, check its technical data sheet.

**2.2 GA-FO**

**Forged hook bolt**



**Properties**



Steel



Zinc-plated coating

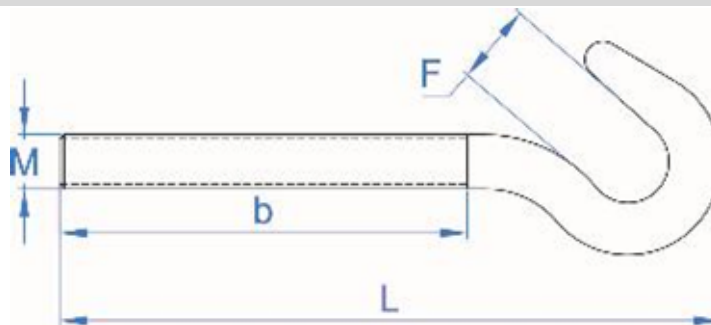


Metric Thread

**Installation data**

CODE		GAFOM06Z	GAFOM08Z	GAFOM10Z	GAFOM12Z	GAFOM16Z
<b>M: Metric</b>	[mm]	6	8	10	12	16
<b>b: Thread length</b>	[mm]	55	60	73	90	110
<b>F: opening hook</b>	[mm]	8	10	12,5	16	20
<b>L: total length</b>	[mm]	82	98	116,5	146	185
<b>N<sub>Rk</sub>: Characteristic resistance</b>	[kN]	1,64	3,19	5,00	8,16	14,8
<b>γ<sub>M</sub>: Safety factor</b>	[-]	1,40	1,40	1,40	1,40	1,40
<b>N<sub>Rd</sub>: Design resistance*</b>	[kN]	1,17	2,28	3,57	5,83	10,57

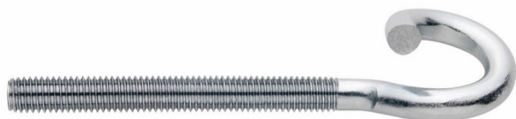
**DRAWING**



\* In case of using it in combination with an anchor, check its technical data sheet.

**2.3 GE-SP**

**Hook spiral**



**Properties**



Steel



Zinc-plated coating

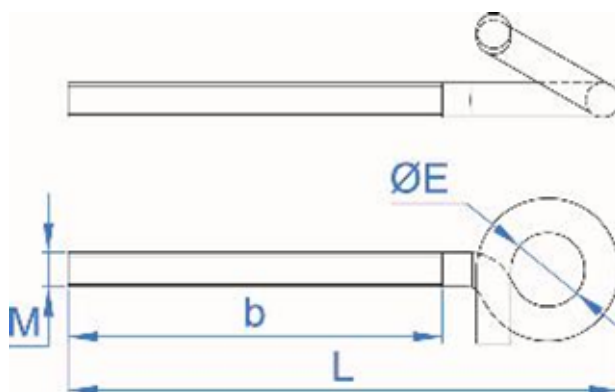


Metric Thread

**Installation data**

CODE		GESPM08ZE
<b>M: Metric</b>	[mm]	8
<b>b: Thread length</b>	[mm]	65
<b>ØE: Inside diameter</b>	[mm]	22
<b>L: total length</b>	[mm]	115
<b>N<sub>Rk</sub>: Characteristic resistance</b>	[kN]	3,0
<b>γ<sub>M</sub>: Safety factor</b>	[-]	1,40
<b>N<sub>Rd</sub>: Design resistance*</b>	[kN]	2,14

**DRAWING**



\* In case of using it in combination with an anchor, check its technical data sheet.