

CHARACTERISTICS

- For fixing plastic, copper or steel piping, wiring, etc.
- Manufactured in polyamide or polypropylene.
- Halogen-free.
- Resistant to UV rays.
- Versatile, as may be installed with plug and screw, in strut channels or using a gas-actuated gun, depending on version.

APPLICATIONS

- Fixing light piping in general.
- Fixing electrical wiring.
- Fixing central heating piping.
- Fixing HSW piping.

BASE MATERIALS



APPLICATION EXAMPLES



1. RANGE

ITEM	CODE	PHOTO	MEASUREMENTS [mm]	MATERIAL	RECOMMENDED TENSION RESISTANCE (KG)	INSTALLATION TEMPERATURE (°C)	HALOGEN-FREE	RESISTANT TO UV	EXPANSION ABSORPTION	FIXATION				APPLICATIONS	PARALLEL ASSEMBLY	COLOR
										GAS-ACTUATED GUN	METRIC THREAD	PLUG + SCREW	STRUT CHANNEL			
1	AB-PR		Ø12 ÷ Ø50	POLIPROPILENO POLIPROPILENE	10	-10 ÷ +90	✓	✓	--	✓	M6 Pre - Thread	✓	20/10 27/18 28/30	Sanitary Electrical	✓	Grey
2	AB-IN		Ø12 ÷ Ø35	POLIPROPILENO POLIPROPILENE	10	-10 ÷ +90	✓	✓	--	--	M6	--	20/10	Sanitary Electrical	--	Grey
3	AB-ID		Ø12 ÷ Ø28	POLIPROPILENO POLIPROPILENE	10	-10 ÷ +90	✓	✓	--	--	M6	--	20/10	Sanitary Electrical	✓	Grey
4	AB-GU		Ø12 ÷ Ø50	POLIPROPILENO POLIPROPILENE	40	-10 ÷ +90	✓	✓	--	✓	M6 Pre - Thread	✓	20/10 27/18 28/30	Sanitary Electrical	--	Grey
5	AB-MUG		Ø12 ÷ Ø48	POLIPROPILENO POLIPROPILENE	40	-10 ÷ +90	✓	✓	--	✓	M6 Pre - Thread	✓	20/10 27/18 28/30	Sanitary Electrical	✓	Grey
6	AB-MS		Ø10 ÷ Ø28	Ny NYLON	30	-10 ÷ +90	✓	✓	--	--	--	--	--	Sanitary Electrical	✓	Grey
7	AB-MD		Ø10 ÷ Ø28	Ny NYLON	30	-10 ÷ +90	✓	✓	--	--	--	--	--	Sanitary Electrical	✓	Grey
8	FG- ABRA		Ø15 ÷ Ø32	Ny NYLON	40	-10 ÷ +90	✓	✓	--	✓	--	✓	20/10	Sanitary Electrical	--	Grey
9	AB-TS		Ø14 ÷ Ø32	Ny NYLON	30	-10 ÷ +80	✓	✓	✓	--	--	--	--	Sanitary Electrical	--	Grey
10	AB-TD		Ø16 ÷ Ø28	Ny NYLON	30	-10 ÷ +80	✓	✓	✓	--	--	--	--	Sanitary Electrical	✓	Grey
11	AB-TC		Ø20 ÷ Ø28	Ny NYLON	30	-10 ÷ +80	✓	✓	✓	--	--	--	--	Sanitary Electrical	✓	Grey
12	FI-CA CL		Ø13 ÷ Ø16	Ny NYLON	30	-10 ÷ +80	✓	✓	✓	--	--	--	--	Electrical	-	Grey
13	FI-CA AB		80 / 119	Ny NYLON	30	-10 ÷ +80	✓	✓	✓	--	--	✓	--	Electrical	✓	Grey
14	FI-CA PS		130	Ny NYLON	30	-10 ÷ +80	✓	✓	✓	--	--	✓	--	Electrical	--	Grey
15	FI-CA PD		225	Ny NYLON	30	-10 ÷ +80	✓	✓	✓	--	--	✓	--	Electrical	--	Grey

2. INSTALLATION DATA

2.1 AB-PR

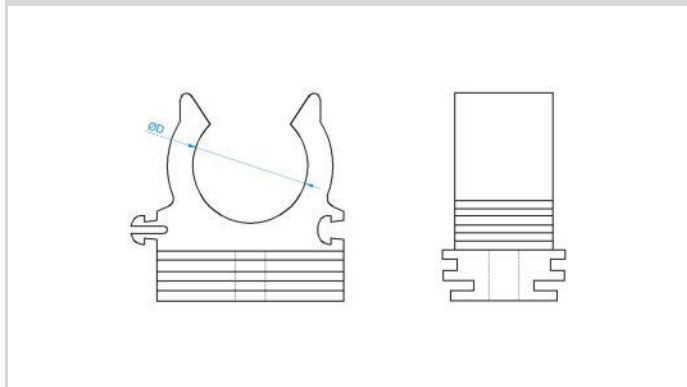
Pressure nylon pipe clamp

	Material	Main Uses			
		Steel Piping	Cables	Copper Piping	Plastic Piping
	Elements for Installation				
Polypropylene					
	Rail 20/10, 27/18 and 28/30	Plug + screw	Gas-actuated gun		

Installation data

Code	ØD [mm]	Ø D (")	Recommended Load (kg)	Characteristics
ABPRG12	12	1/4	10	<ul style="list-style-type: none"> • Pressure fixing. • Halogen-free. • For piping from Ø10 mm to Ø50 mm. • May be installed in 20/10, 27/18 or 28/30 strut channels, using a gas-actuated gun or with plug and screw. • For supporting light steel, copper, plastic piping and cable • Installation temperature between -10°C and +90°C. • Resistant to ultraviolet UV rays. • Clip for parallel assembly. For strut channel assembly. • Material: polypropylene. • Colour: grey.
ABPRG15	15 ÷ 18	3/8	10	
ABPRG20	20 ÷ 22	--	10	
ABPRG25	25 ÷ 28	1/2	10	
ABPRG32	32 ÷ 35	--	10	
ABPRG40	40	--	10	
ABPRG50	50	3/4	10	

DRAWING



APPLICATION EXAMPLES



2.2 AB-IN

M6 Pipe clip clamp



Material

Polypropylene

Main Uses



Steel Piping



Cables



Copper Piping



Plastic Piping

Elements for Installation



20/10 Strut Channel



Plug + screw

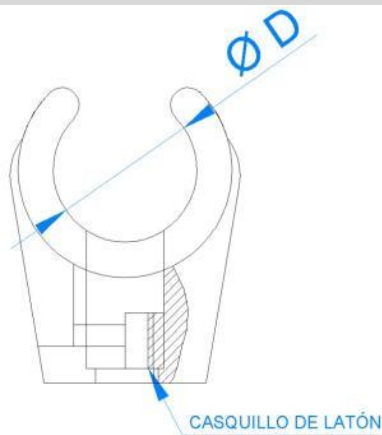


Metric thread/Stud nut

Installation data

Code	ØD [mm]	Ø D (")	Recommended Load (kg)	Characteristics
ABINO012	12	1/4	10	<ul style="list-style-type: none"> • Pressure fixing. • Halogen-free. • For piping from Ø12 mm to Ø28 mm. • May be installed in 20/10 strut channel, with plug and screw, or screw and metric thread. • For supporting light steel, copper, plastic piping and cable. • Installation temperature between -10°C and +90°C. • Resistant to ultraviolet UV rays. • Material: polypropylene. • Colour: white.
ABINO014	14 ÷ 16	3/8	10	
ABINO016	16 ÷ 18	--	10	
ABINO020	20 ÷ 22	--	10	
ABINO025	25	--	10	
ABINO028	28	3/4	10	
ABINO032	32	--	10	
ABINO035	35	--	10	

DRAWING



APPLICATION EXAMPLES



2.3 AB-ID

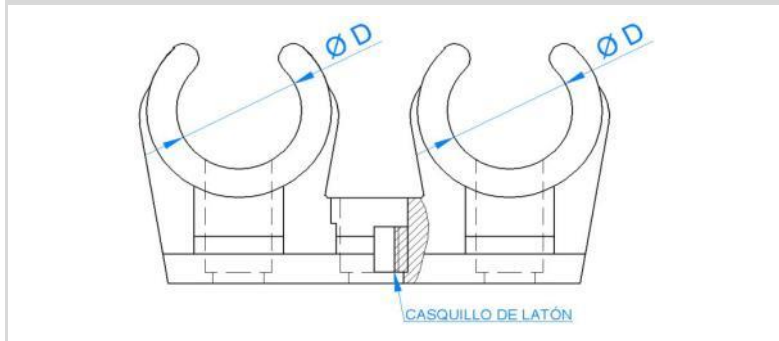
M6 Pipe clip clamp

	<p>Material</p>	<p>Main Uses</p>			
					
		<p>Polypropylene</p>	<p>Steel Piping</p>	<p>Cables</p>	<p>Copper Piping</p>
<p>Elements for Installation</p>					
					
	<p>20/10 Strut Channel</p>	<p>Plug + screw</p>	<p>Metric thread/Stud nut</p>		

Installation data

Code	ØD [mm]	Ø D (")	Recommended Load (kg)	Characteristics
ABINO012	12	1/4	10	<ul style="list-style-type: none"> • For mounting parallel piping. • Pressure fixing. • Halogen-free. • For piping from Ø12 mm to Ø28 mm. • May be installed in 20/10 strut channel, with plug and screw, or screw and metric thread. • For supporting light steel, copper, plastic piping and cable. • Installation temperature between -10°C and +90°C. • Resistant to ultraviolet UV rays. • Material: polypropylene. • Colour: white.
ABINO014	14 ÷ 16	3/8	10	
ABINO016	16 ÷ 18	--	10	
ABINO020	20 ÷ 22	--	10	
ABINO028	28	3/4	10	

DRAWING

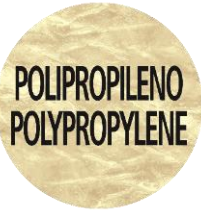


APPLICATION EXAMPLES



2.4 AB-GU

Pipe clip with M6 pre-thread



Polypropylene

Material

Main Uses



Steel Piping



Cables



Copper Piping



Plastic Piping

Elements for Installation



20/10 Strut Channel



Plug + screw

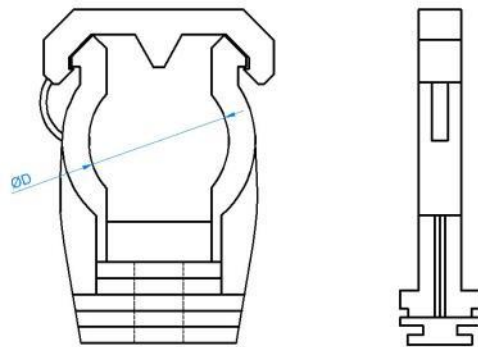


Gas-actuated gun

Installation data

Code	ØD [mm]	Ø D (")	Recommended Load (kg)	Characteristics
ABGUG12	12	1/4	40	<ul style="list-style-type: none"> • With top clasp for greater security. • Pressure fixing. • Halogen-free. • For piping from Ø12 mm to Ø50 mm. • May be installed in 20/10, 27/18 or 28/30 strut channel, with plug and screw, or using a gas-actuated gun. • For supporting light steel, copper, plastic piping and cable. • Installation temperature between -10°C and +80°C. • Resistant to ultraviolet UV rays. • Material: polypropylene. • Halogen-free material. • Colour: white.
ABGUG15	15	3/8	40	
ABGUG18	18	--	40	
ABGUG 20	20	--	40	
ABGUG22	22	1/2	40	
ABGUG25	25	--	40	
ABGUG28	28	--	40	
ABGUG32	32	1	40	
ABGUG40	40	--	40	
ABGUG50	50	--	40	

DRAWING










APPLICATION EXAMPLES



2.5 AB-MUG

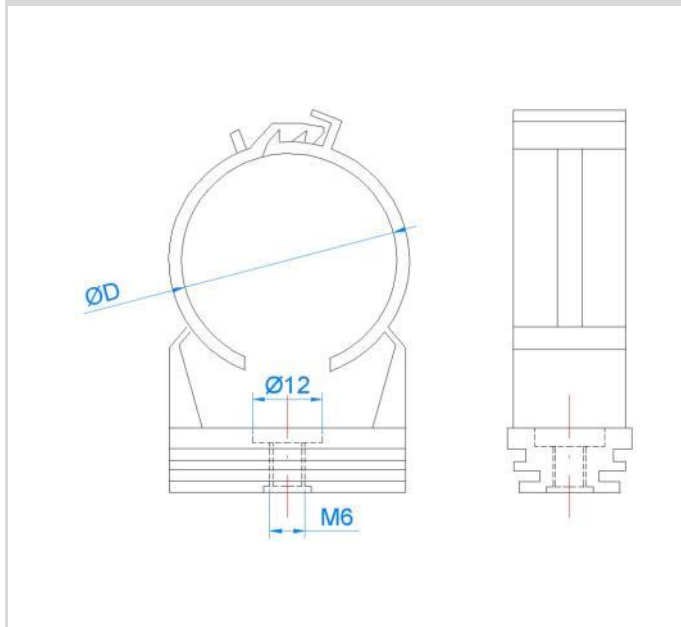
Pipe clip and clasp

	Material	Main Uses			
	 <p>POLIPROPILENO POLYPROPYLENE</p>	 Steel Piping	 Cables	 Copper Piping	 Plastic Piping
		Elements for Installation			
	Polypropylene	 20/10 Strut Channel	 Plug + screw	 Gas-actuated gun	

Installation data

Code	ØD [mm]	Ø D (")	Recommended Load (kg)	Characteristics
ABMUG12	12	1/4	40	<ul style="list-style-type: none"> • With M6 Pre-thread and quick clasp. • For mounting parallel piping. • Pressure fixing. • Halogen-free. • For piping from Ø15 mm to Ø28 mm. • May be installed in 20/10, 27/18 or 28/30 strut channel, with plug and screw, or using a gas-actuated gun. • For supporting light steel, copper, plastic piping and cable. • Installation temperature between -10°C and +80°C. • Resistant to ultraviolet UV rays. • Material: polypropylene. • Halogen-free material. • Colour: white.
ABMUG15	15 ÷ 16	3/8	40	
ABMUG18	18 ÷ 20	--	40	
ABMUG20	22 ÷ 24	--	40	
ABMUG22	22	--	40	
ABMUG26	25	1/2	40	
ABGUG32	32	--	40	
ABGUG40	40	--	40	
ABGUG48	50	3/4	40	

DRAWING



APPLICATION EXAMPLES



2.6 AB-MS

Multitube clamp + plug. Simple



Nylon

Main Uses



Steel Piping

Cables

Copper Piping

Plastic Piping

Elements for Installation

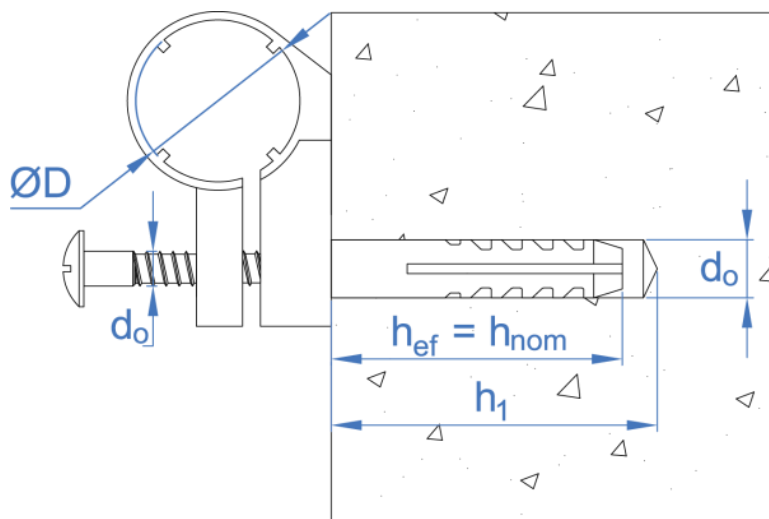


Hammer

Installation data

Code	ØD [mm]	d _o (mm)	h ₁ (mm)	h _{ef} (mm)	Recommended Load (kg)	Characteristics
ABMS10	10	5	30	20	9	<ul style="list-style-type: none"> • Easy installation by hammering clamp. • Pressure fixing. • For piping from Ø10 mm to Ø28 mm. • For supporting light steel, copper, plastic piping and cable. • Screw included • Installation temperature between -10°C and +80°C. • Resistant to ultraviolet UV rays. • Material: polyamide. • Halogen-free material.
ABMS12	12	5	30	20	9	
ABMS14	14	6	35	25	15	
ABMS16	16	6	35	25	15	
ABMS18	18	8	45	30	16	
ABMS20	20	8	45	30	16	
ABMS22	22	8	45	30	16	
ABMS28	28	10	50	40	30	

DRAWING



2.7 AB-MD

Multitube clamp + plug. Double



Material

Nylon

Main Uses



Steel Piping



Cables



Copper Piping



Plastic Piping

Elements for Installation

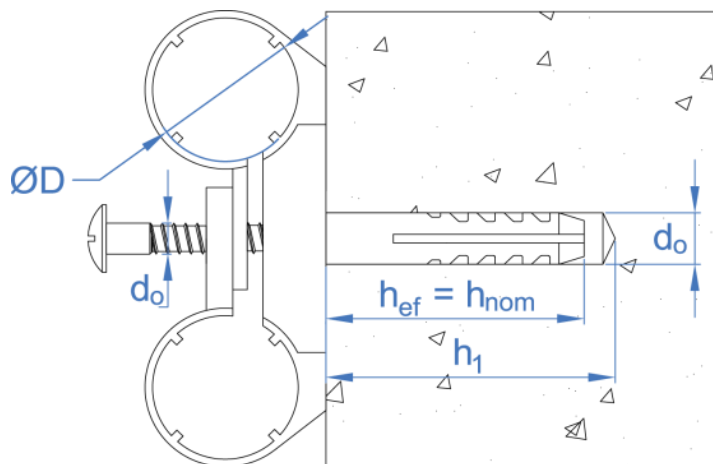


Hammer

Installation data

Code	ØD [mm]	d _o (mm)	h ₁ (mm)	h _{ef} (mm)	Recommended Load (kg)	Characteristics
ABMD10	10	8	60	30	16	<ul style="list-style-type: none"> • Easy installation by hammering clamp. • Pressure fixing. • For parallel assemblies • For piping from Ø10 mm to Ø28 mm. • For supporting light steel, copper, plastic piping and cable. • Screw included • Installation temperature between -10°C and +80°C. • Resistant to ultraviolet UV rays. • Material: polyamide. • Halogen-free material.
ABMD12	12	8	60	30	16	
ABMD14	14	8	60	30	16	
ABMD16	16	8	60	30	16	
ABMD18	18	10	70	40	30	
ABMD20	20	10	70	40	30	
ABMD22	22	10	70	40	30	
ABMD28	28	10	70	40	30	

DRAWING



2.8 FG-ABRA

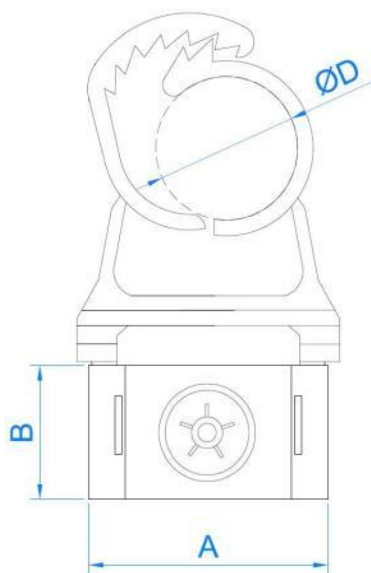
Pipe Clip for Gas-actuated gun

	Material	Main Uses				
		Steel Piping	Cables	Copper Piping	Plastic Piping	
	Elements for Installation					
Nylon						
		20/10 Strut Channel	Gas-actuated gun			

Installation data

Code	ØD [mm]	Ø D (")	Recommended Load (kg)	Characteristics
FGABRA15	15	1/4	40	<ul style="list-style-type: none"> • With M6 Pre-thread and quick clasp. • For mounting parallel piping. • Pressure fixing. • Halogen-free. • For piping from Ø15 mm to Ø28 mm. • May be installed in 20/10 strut channel or using a gas-actuated gun. • For supporting light steel, copper, plastic piping and cable. • Installation temperature between -10°C and +80°C. • Resistant to ultraviolet UV rays. • Material: polyamide. • Halogen-free material. • Colour: white.
FGABRA20	20 ÷ 25	1/2	40	
FGABRA25	25 ÷ 32	3/4	40	

DRAWING



APPLICATION EXAMPLES



2.9 AB-TS

Single Indexring



Material



Nylon

Main Uses



Steel Piping



Cables



Copper Piping



Plastic Piping

Elements for Installation

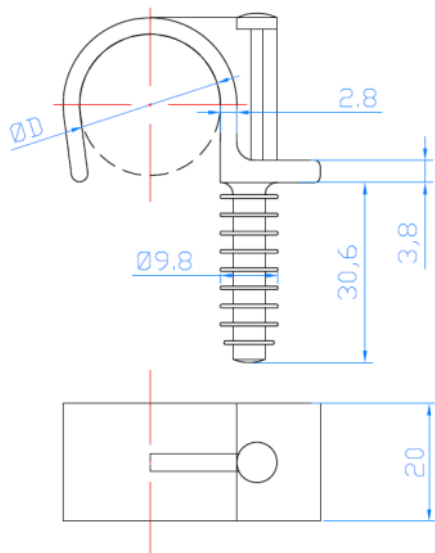


Hammer

Installation data

Code	ØD [mm]	Ø D (")	Recommended Load (kg)	Characteristics
ABTS014	14 ÷ 15	--	30	<ul style="list-style-type: none"> • Easy installation by hammering clamp. • Drillhole: Ø8x35. • Pressure fixing. • Halogen-free. • For piping from Ø14 mm to Ø32 mm. • May be installed in 20/10 strut channel or using a gas-actuated gun. • For supporting light steel, copper, plastic piping and cable. • Installation temperature between -10°C and +80°C. • Resistant to ultraviolet UV rays. • Material: polyamide. • Halogen-free material. • Colour: white.
ABTS016	16 ÷ 17	3/8	30	
ABTS018	18 ÷ 19	--	30	
ABTS020	20 ÷ 21	1/2	30	
ABTS022	22 ÷ 23	--	30	
ABTS025	24 ÷ 25	3/4	30	
ABTS028	28 ÷ 29	--	30	
ABTS032	30 ÷ 32	--	30	

DRAWING



APPLICATION EXAMPLES



2.10 AB-TD

Double Indexring



Material

Nylon

Main Uses



Steel Piping



Cables



Copper Piping



Plastic Piping

Elements for Installation

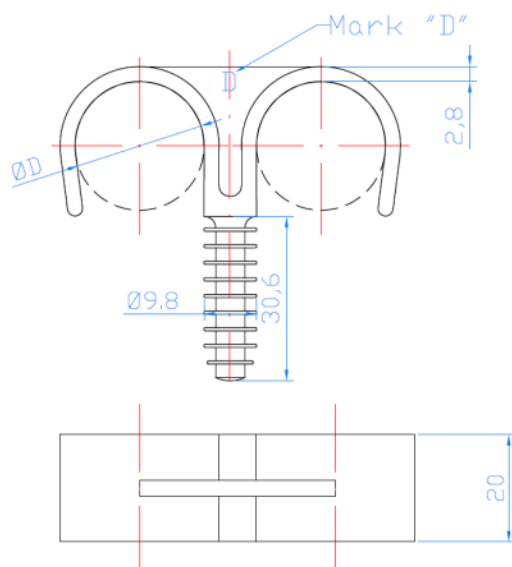


Hammer

Installation data

Code	ØD [mm]	Ø D (")	Recommended Load (kg)	Characteristics
ABTD016	15 ÷ 16	3/8	30	<ul style="list-style-type: none"> • Easy installation by hammering clamp. • For parallel assemblies. • Drillhole: Ø8x35. • Pressure fixing. • Halogen-free. • For piping from Ø15 mm to Ø28 mm. • May be installed in 20/10 strut channel or using a gas-actuated gun. • For supporting light steel, copper, plastic piping and cable. • Installation temperature between -10°C and +80°C. • Resistant to ultraviolet UV rays. • Material: polyamide. • Halogen-free material. • Colour: white.
ABTD018	18 ÷ 19	--	30	
ABTD020	20 ÷ 21	1/2	30	
ABTD022	22 ÷ 23	--	30	
ABTD025	25 ÷ 26	3/4	30	
ABTD028	28 ÷ 29	--	30	

DRAWING



APPLICATION EXAMPLES



2.11 AB-TC

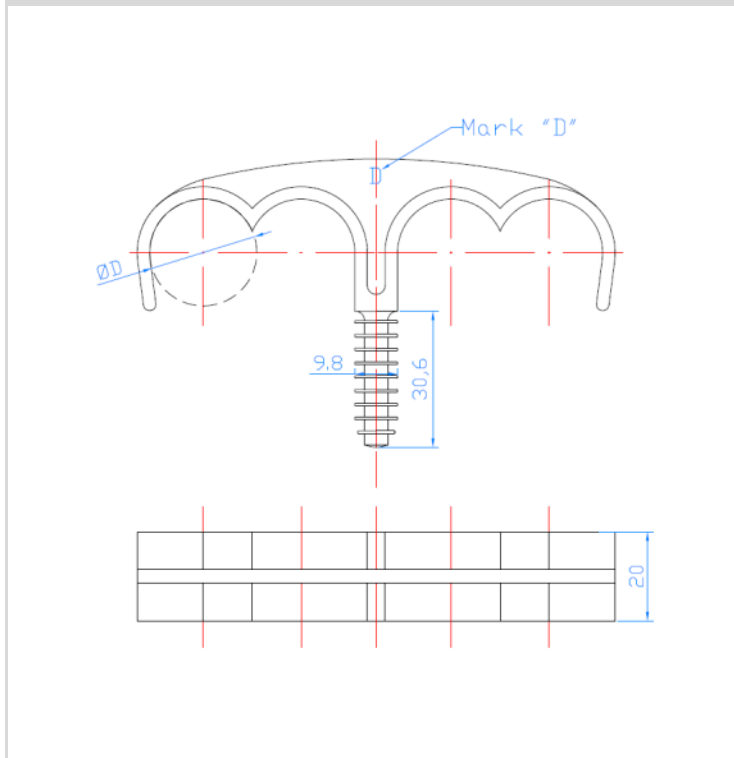
Quadruple Indexring

	Material	Main Uses			
		Steel Piping	Cables	Copper Piping	Plastic Piping
Nylon	Elements for Installation				
	Nylon	Hammer			

Installation data

Code	ØD [mm]	Ø D (")	Recommended Load (kg)	Characteristics
ABTD020	20 ÷ 21	1/2	30	<ul style="list-style-type: none"> • Easy installation by hammering clamp. • For parallel assemblies. • Drillhole: Ø8x35. • Pressure fixing. • Halogen-free. • For piping from Ø15 mm to Ø28 mm. • May be installed in 20/10 strut channel or using a gas-actuated gun. • For supporting light steel, copper, plastic piping and cable. • Installation temperature between -10°C and +80°C. • Resistant to ultraviolet UV rays. • Material: polyamide. • Halogen-free material. • Colour: white.
ABTD025	25 ÷ 26	3/4	30	

DRAWING



APPLICATION EXAMPLES



2.12 FICA-CL

Nylon clip for cable fixation



Material

Nylon

Main Uses



Cables

Elements for Installation

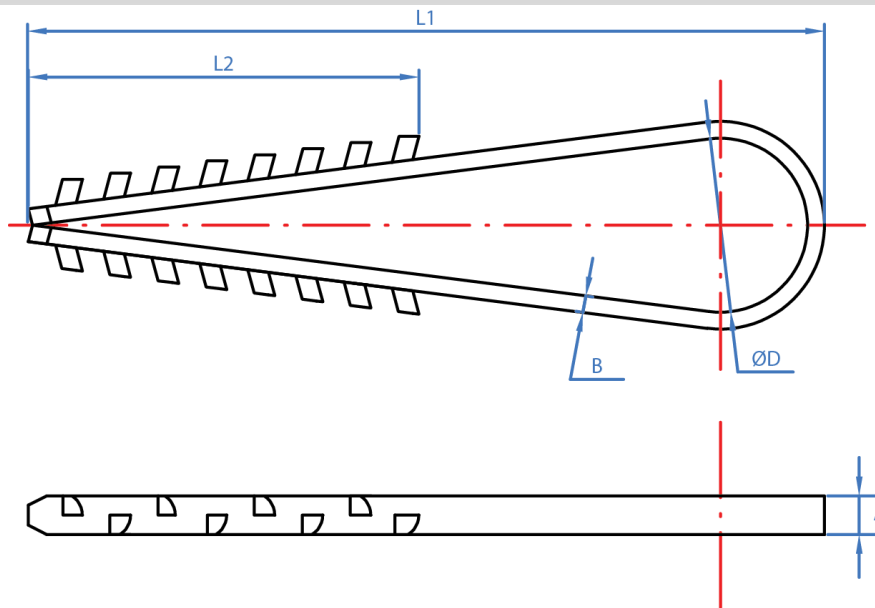


Hammer

Installation data

Code	ØD [mm]	L1(mm)	L2(mm)	A X B (mm)	Recommended Load (kg)	Characteristics
FICA13	13	41,5	20	4,7 x 1,4	30	<ul style="list-style-type: none"> • Wide range of diameters from Ø3 to Ø16 • Ø Pre drilled
FICA26	16	62,0	26	4,7 x 1,4	30	

DRAWING



2.13 FICA-AB

Clamps for cables



Material

Nylon

Main Uses



Cables

Elements for Installation



Hammer

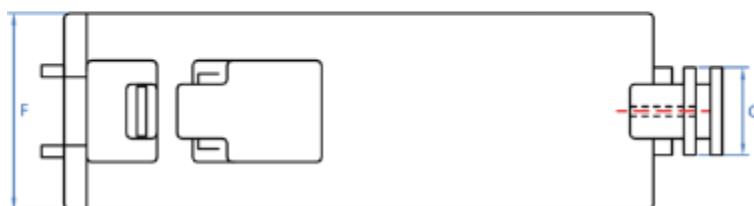
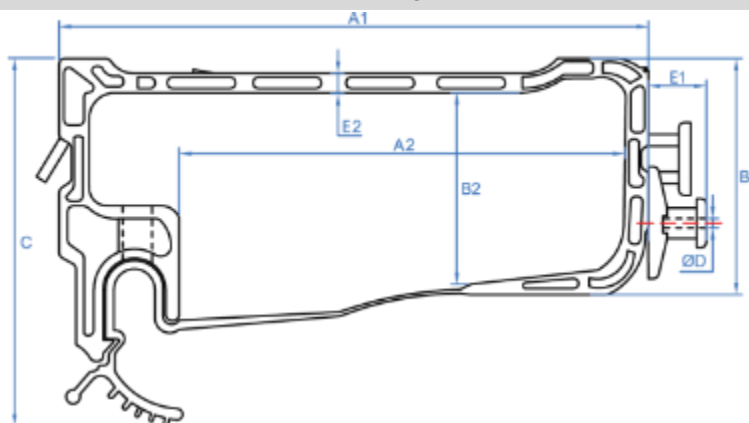


Plug + screw

Installation data

Code	A1 x B1	A2 x B2	C	E2	Recommended Load (kg)	Characteristics
FICAAB080	80 x 52	59 x 37	59	5	30	<ul style="list-style-type: none"> • Side opening for easy installation • Capacity for different cable diameters • Allows expansion of the electrical installation
FICAAB119	119 x 59	93 x 40	67	6	30	

DRAWING



2.14 FICA-PS

Fixing plier for cables, simple



Material

Nylon

Main Uses



Cables

Elements for Installation



Hammer

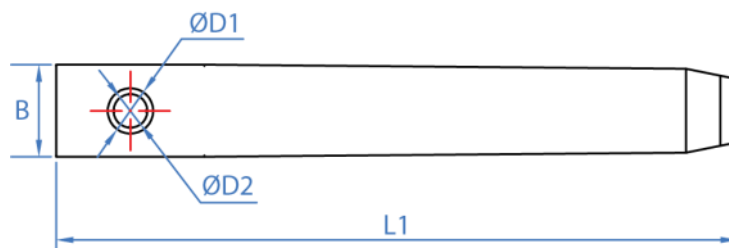
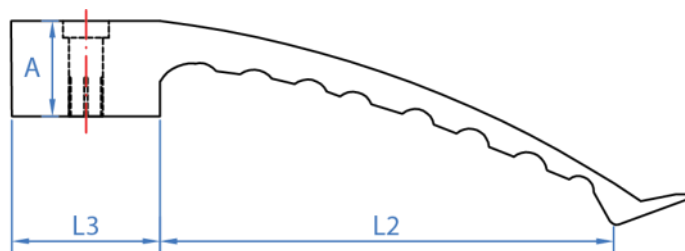


Plug + screw

Installation data

Code	L1 (mm)	L2 (mm)	ØD1 (mm)	ØD2 (mm)	A x B (mm)	Recommended Load (kg)	Characteristics
FICAPS080	130	80	10,5	6,8	15,4 x 19,5	30	<ul style="list-style-type: none"> Side opening that allows to increase the number intallation cables

DRAWING



2.15 FICA-PD

Fixing plier for cables, double



Material

Nylon

Main Uses



Cables

Elements for Installation



Hammer



Plug + screw

Installation data

Code	L1 (mm)	L2 (mm)	ØD1 (mm)	ØD2 (mm)	A x B (mm)	Recommended Load (kg)	Characteristics
FICAPD160	225	80	10,5	6,8	15,4 x 19,5	30	<ul style="list-style-type: none"> Side opening that allows to increase the number installation cables

DRAWING

