



AB-RI A2



AB-RE A2



AB-M6 A2



AB-RI A4



AB-RE A4



AB-SF A2



AZ-A2



AB-ITS



AB-ITD

CHARACTERISTICS
















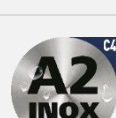

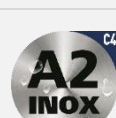
- Stainless Steel clamps.
- Fixings for steel piping, stainless steel piping and plastic or rubber.
- Reinforced structure.
- Nut M8+M10 flexibility for installation.
- Variety of formats: isophonic, standard, hose clamp, M6.

APPLICATION EXAMPLES



Uses: fixation of hoses, piping, industrial vertical and horizontal installations as well as food installations, high pressure and aggressive environments.

1. RANGE

| ITEM | CODE | PHOTO | MATERIAL | SIZES | THICKNESS | WIDTH | NUT | MAXIMUM RECOMMENDED LOAD | SCREW | ISOPHONIC | TBC (Technical building code) |
|------|--------|---|---|---------------|-----------|-------------|----------|--------------------------|---------------------------|-----------|-------------------------------|
| 1 | ABRIA2 |  |  | Ø18 ÷ Ø160 mm | 18,5 mm | 1,7 mm | M8+M10 | 150 | Screw | ✓ | ✓ |
| 2 | ABRIA4 |  |  | Ø18 ÷ Ø160 mm | 18,5 mm | 1,7 mm | M8+M10 | 150 | Screw | ✓ | ✓ |
| 3 | ABREA2 |  |  | Ø18 ÷ Ø200 mm | 18,5 mm | 1,7 mm | M8+M10 | 150 | Screw | -- | -- |
| 4 | ABREA4 |  |  | Ø18 ÷ Ø200 mm | 18,5 mm | 1,7 mm | M8+M10 | 150 | Screw | -- | -- |
| 5 | ABM6A2 |  |  | Ø12 ÷ Ø28 mm | 16 mm | 1,5 mm | M6 | 70 | Screw | -- | -- |
| 6 | ABSF2 |  |  | Ø10 ÷ Ø150 mm | 9 mm | 0,7 mm | -- | -- | Screw with stamped washer | -- | -- |
| 7 | AZA2 |  |  | 1/2" – 8" | M6 – M10 | -- | M6 – M10 | 250 - 350 | -- | -- | -- |
| 8 | AB-ITS |  |  | Ø15 ÷ Ø28 | M5 | 20,0 ÷ 33,0 | - | 10 | - | - | - |
| 9 | AB-ITD |  |  | Ø15 ÷ Ø22 | M5 | 20,0 ÷ 27,0 | - | 10 | - | - | - |

2. TECHNICAL DATA

2.1 ABRIA2

Reinforced isophonic clamp M8+M10 Stainless Steel A2



MATERIALS AND GEOMETRY



Stainless A2

Nut M8+M10

Reinforced

USE MATERIAL



Steel pipe

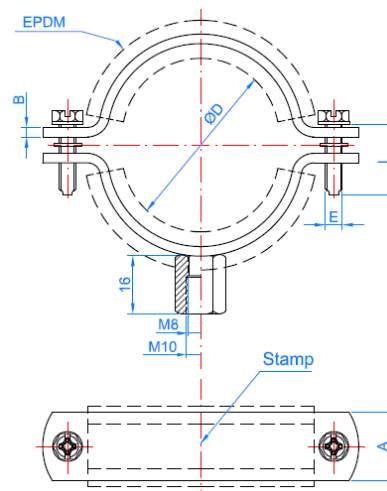
Stainless steel pipe

PVC pipe

Installation Data

| CODE | ØD [mm] | ØD ["] | AxB [mm] | Load [kg] | Characteristics |
|-----------|-----------|--------|------------|-----------|--|
| ABRIA2018 | 15 - 18 | 3/8" | 18,5 x 1,7 | 150 | <ul style="list-style-type: none"> • Pipes from Ø18 to Ø160 mm. • AISI 304 – A2 Stainless Steel • Isophonic, EPDM rubber for insulation, noise and vibration reduction. • According to Technical Building Code, TBC, Basic reports HS and HR. • Steel profile of 1.70 mm thickness. • Side screws with plastic washer to avoid losses. • Reinforced. • Welded nut of M8+M10. • Suitable for steel, plastic, copper and ventilation pipes. • Service temperature: -30°C ÷ +120°C. • According to DIN 4109: Sound insulation lining |
| ABRIA2022 | 20 - 24 | 1/2" | 18,5 x 1,7 | | |
| ABRIA2028 | 26 - 30 | 3/4" | 18,5 x 1,7 | | |
| ABRIA2035 | 32 - 36 | 1" | 18,5 x 1,7 | | |
| ABRIA2040 | 36 - 42 | 1 1/4" | 18,5 x 1,7 | | |
| ABRIA2048 | 47 - 50 | 1 1/2" | 18,5 x 1,7 | | |
| ABRIA2054 | 51 - 55 | - | 18,5 x 1,7 | | |
| ABRIA2060 | 60 - 64 | 2" | 18,5 x 1,7 | | |
| ABRIA2075 | 75 - 80 | 2 1/2" | 18,5 x 1,7 | | |
| ABRIA2090 | 87 - 92 | 3" | 18,5 x 1,7 | | |
| ABRIA2110 | 106 - 112 | - | 18,5 x 1,7 | | |
| ABRIA2115 | 114 - 119 | 4" | 18,5 x 1,7 | | |
| ABRIA2125 | 124 - 131 | 4 1/2" | 18,5 x 1,7 | | |
| ABRIA2140 | 133 - 140 | 5" | 18,5 x 1,7 | | |
| ABRIA2160 | 159 - 163 | 6" | 18,5 x 1,7 | | |

DRAWING



2.2 ABRIA4

Reinforced isophonic clamp M8+M10 Stainless Steel A4



MATERIALS AND GEOMETRY



Stainless A4

Nut M8+M10

Reinforced

USE MATERIAL



Steel pipe

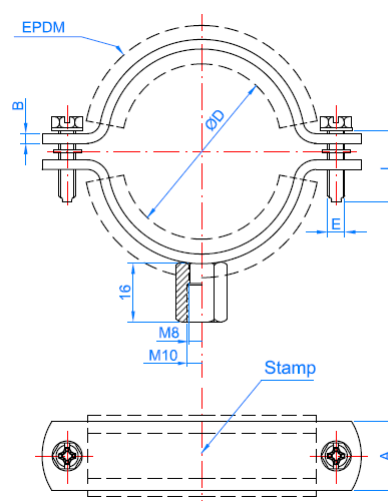
Stainless steel pipe

PVC pipe

Installation Data

| CODE | ØD [mm] | ØD ["] | AxB [mm] | Load [kg] | Characteristics |
|-----------|-----------|--------|------------|-----------|--|
| ABRIA4018 | 15 - 18 | 3/8" | 18,5 x 1,7 | 150 | <ul style="list-style-type: none"> • Pipes from Ø18 to Ø160 mm. • AISI 316 – A4 Stainless Steel • Isophonic, EPDM rubber for insulation, noise and vibration reduction. • According to Technical Building Code, TBC, Basic reports HS and HR. • Steel profile of 1.70 mm thickness. • Side screws with plastic washer to avoid losses. • Reinforced. • Welded nut of M8+M10. • Suitable for steel, plastic, copper and ventilation pipes. • Service temperature: -30°C ÷ +120°C. • According to DIN 4109: Sound insulation lining |
| ABRIA4022 | 20 - 24 | 1/2" | 18,5 x 1,7 | | |
| ABRIA4028 | 26 - 30 | 3/4" | 18,5 x 1,7 | | |
| ABRIA4035 | 32 - 36 | 1" | 18,5 x 1,7 | | |
| ABRIA4040 | 36 - 42 | 1 1/4" | 18,5 x 1,7 | | |
| ABRIA4048 | 47 - 50 | 1 1/2" | 18,5 x 1,7 | | |
| ABRIA4054 | 51 - 55 | - | 18,5 x 1,7 | | |
| ABRIA4060 | 60 - 64 | 2" | 18,5 x 1,7 | | |
| ABRIA4075 | 75 - 80 | 2 1/2" | 18,5 x 1,7 | | |
| ABRIA4090 | 87 - 92 | 3" | 18,5 x 1,7 | | |
| ABRIA4110 | 106 - 112 | - | 18,5 x 1,7 | | |
| ABRIA4115 | 114 - 119 | 4" | 18,5 x 1,7 | | |
| ABRIA4125 | 124 - 131 | 4 1/2" | 18,5 x 1,7 | | |
| ABRIA4140 | 133 - 140 | 5" | 18,5 x 1,7 | | |
| ABRIA4160 | 159 - 163 | 6" | 18,5 x 1,7 | | |

DRAWING



2.3 ABREA2

**Reinforced clamp M8+M10
Stainless Steel A2**



MATERIALS AND GEOMETRY



Stainless A2

Nut M8+M10

Reinforced

USE MATERIAL

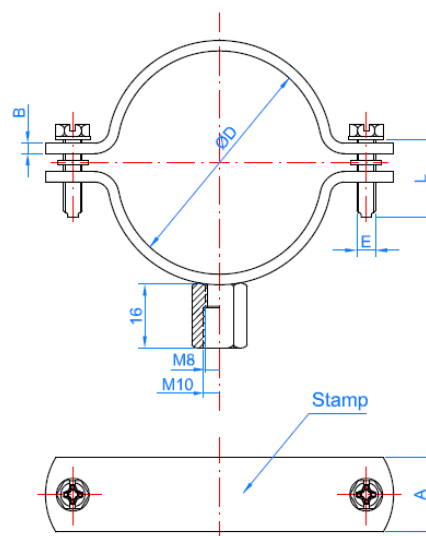


Stainless pipe

PVC pipe

Installation Data

| CODE | ØD [mm] | ØD ["] | AxB [mm] | Load [kg] |
|-----------|-----------|--------|------------|-----------|
| ABREA2018 | 15 - 18 | 3/8" | 18,5 x 1,7 | 150 |
| ABREA2022 | 20 - 24 | 1/2" | 18,5 x 1,7 | 150 |
| ABREA2028 | 26 - 30 | 3/4" | 18,5 x 1,7 | 150 |
| ABREA2035 | 32 - 36 | 1" | 18,5 x 1,7 | 150 |
| ABREA2040 | 36 - 42 | 1 1/4" | 18,5 x 1,7 | 150 |
| ABREA2048 | 47 - 50 | 1 1/2" | 18,5 x 1,7 | 150 |
| ABREA2054 | 51 - 55 | - | 18,5 x 1,7 | 150 |
| ABREA2060 | 60 - 64 | 2" | 18,5 x 1,7 | 150 |
| ABREA2075 | 75 - 80 | 2 1/2" | 18,5 x 1,7 | 150 |
| ABREA2090 | 87 - 92 | 3" | 18,5 x 1,7 | 150 |
| ABREA2110 | 106 - 112 | - | 18,5 x 1,7 | 150 |
| ABREA2115 | 114 - 119 | 4" | 18,5 x 1,7 | 150 |
| ABREA2125 | 124 - 131 | 4 1/2" | 18,5 x 1,7 | 150 |
| ABREA2140 | 133 - 140 | 5" | 18,5 x 1,7 | 150 |
| ABREA2160 | 159 - 163 | 6" | 18,5 x 1,7 | 150 |
| ABREA2200 | 199 - 212 | - | 18,5 x 1,7 | 150 |



2.4 ABREA4

**Reinforced clamp M8+M10
Stainless Steel A2**



MATERIALS AND GEOMETRY



Stainless A4

Nut M8+M10

Reinforced

USE MATERIAL

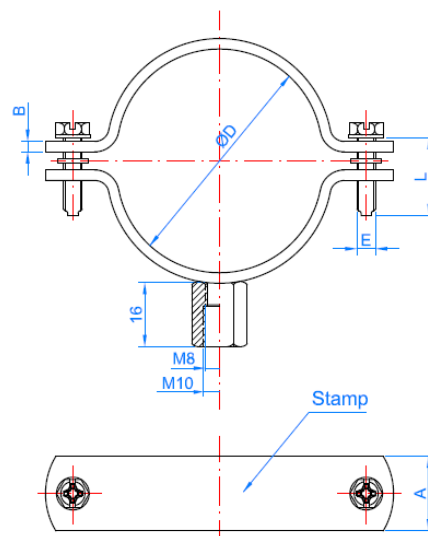


Stainless pipe

PVC pipe

Installation Data

| CODE | ØD [mm] | ØD ["] | AxB [mm] | Load [kg] |
|-----------|-----------|--------|------------|-----------|
| ABREA4018 | 15 - 18 | 3/8" | 18,5 x 1,7 | 150 |
| ABREA4022 | 20 - 24 | 1/2" | 18,5 x 1,7 | 150 |
| ABREA4028 | 26 - 30 | 3/4" | 18,5 x 1,7 | 150 |
| ABREA4035 | 32 - 36 | 1" | 18,5 x 1,7 | 150 |
| ABREA4040 | 36 - 42 | 1 1/4" | 18,5 x 1,7 | 150 |
| ABREA4048 | 47 - 50 | 1 1/2" | 18,5 x 1,7 | 150 |
| ABREA4054 | 51 - 55 | - | 18,5 x 1,7 | 150 |
| ABREA4060 | 60 - 64 | 2" | 18,5 x 1,7 | 150 |
| ABREA4075 | 75 - 80 | 2 1/2" | 18,5 x 1,7 | 150 |
| ABREA4090 | 87 - 92 | 3" | 18,5 x 1,7 | 150 |
| ABREA4110 | 106 - 112 | - | 18,5 x 1,7 | 150 |
| ABREA4115 | 114 - 119 | 4" | 18,5 x 1,7 | 150 |
| ABREA4125 | 124 - 131 | 4 1/2" | 18,5 x 1,7 | 150 |
| ABREA4140 | 133 - 140 | 5" | 18,5 x 1,7 | 150 |
| ABREA4160 | 159 - 163 | 6" | 18,5 x 1,7 | 150 |
| ABREA4200 | 199 - 212 | - | 18,5 x 1,7 | 150 |



2.5 ABM6A2

M6 Clamps, Stainless steel A2



MATERIALS AND GEOMETRY



Stainless A2

USE MATERIAL



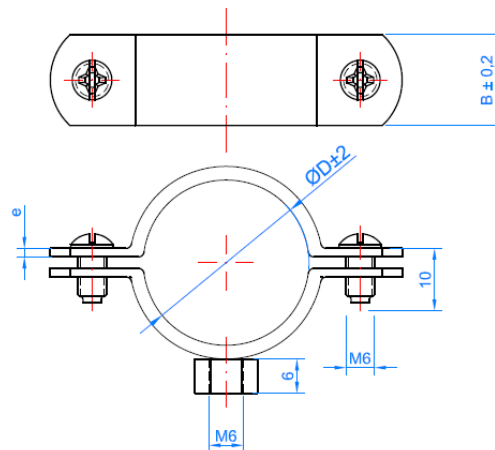
Stainless pipe



PVC pipe

Installation Data

| CODE | ØD [mm] | ØD ["] | AxB [mm] | Load [kg] |
|-----------|---------|--------|----------|-----------|
| ABM6A2012 | 12 | 1/4" | 16 x 1,5 | 70 |
| ABM6A2015 | 14 - 15 | - | 16 x 1,5 | 70 |
| ABM6A2018 | 16 - 18 | 3 / 8" | 16 x 1,5 | 70 |
| ABM6A2020 | 19 - 21 | 1 / 2" | 16 x 1,5 | 70 |
| ABM6A2022 | 22 - 24 | - | 16 x 1,5 | 70 |
| ABM6A2028 | 25 - 30 | 3/4" | 16 x 1,5 | 70 |



2.6 ABSF2

Hose clamp , Stainless Steel A2



MATERIALS AND GEOMETRY



Stainless A2

Embossed washer

For several Ø

USE MATERIAL

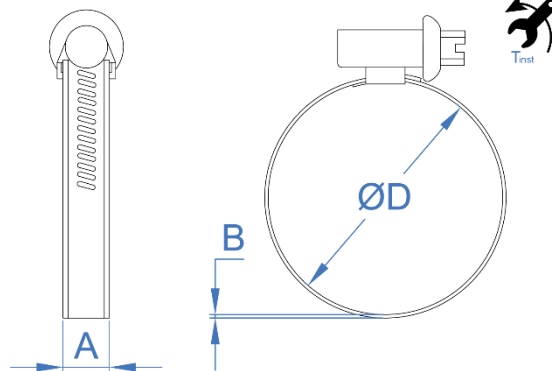


Stainless pipe

PVC pipe

Installation Data

| CODE | ØD [mm] | ØD ["] | AxB [mm] | Torque [Nm] |
|------------|---------|----------------|----------|-------------|
| ASF2010016 | 10-16 | - | 9 x 0,7 | 4 |
| ASF2012020 | 12-20 | 1/2"- 7/8" | 9 x 0,7 | 4 |
| ASF2016027 | 16-27 | 5/8"- 1 1/16" | 9 x 0,7 | 4 |
| ASF2020032 | 20-32 | 3/4"- 1 1/4" | 9 x 0,7 | 4 |
| ASF2025040 | 25-40 | 1"- 1 5/8" | 9 x 0,7 | 4 |
| ASF2032050 | 32-50 | 1 3/8"- 2" | 9 x 0,7 | 4 |
| ASF2040060 | 40-60 | 1 5/8"- 2 3/8" | 9 x 0,7 | 4 |
| ASF2050070 | 50-70 | 2"- 2 3/4" | 9 x 0,7 | 4 |
| ASF2060080 | 60-80 | 2 3/8"- 3 1/8" | 9 x 0,7 | 4 |
| ASF2070090 | 70-90 | 2 3/4"- 3 1/2" | 9 x 0,7 | 4 |
| ASF2080100 | 80-100 | 3 1/8"- 4" | 9 x 0,7 | 4 |
| ASF2090110 | 90-110 | 3 1/2"- 4 3/8" | 9 x 0,7 | 4 |
| ASF2100120 | 100-120 | 4"- 4 3/4" | 9 x 0,7 | 4 |
| ASF2110130 | 110-130 | 4 3/8"- 5 1/8" | 9 x 0,7 | 4 |
| ASF2120140 | 120-140 | 4 3/4"- 5 1/2" | 9 x 0,7 | 4 |
| ASF2130150 | 130-150 | 5 1/8"- 5 7/8" | 9 x 0,7 | 4 |



2.7 AZ-A2

U-BOLT STAINLESS STEEL A2



MATERIALS AND GEOMETRY



Stainless A2



4 Nuts

USE MATERIAL



Steel pipe



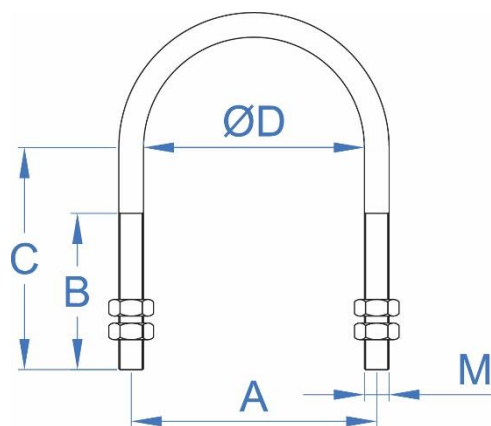
Stainless steel pipe



PVC pipe

Installation Data

| CODE | M | Ø D (") | A (mm) | B (mm) | C (mm) | Maximum load recommended (kg) |
|------------|-----|---------|--------|--------|--------|-------------------------------|
| AZA2060500 | M6 | 1/2" | 27,5 | 17 | 25 | 250 |
| AZA2060750 | M6 | 3/4" | 33 | 19 | 31 | 250 |
| AZA2061000 | M6 | 1" | 39,5 | 24 | 39 | 250 |
| AZA2061250 | M6 | 1 1/4" | 48,5 | 24 | 44 | 250 |
| AZA2081500 | M8 | 1 1/2" | 56,5 | 26 | 48 | 350 |
| AZA2082000 | M8 | 2" | 68,5 | 26 | 53 | 350 |
| AZA2082500 | M8 | 2 1/2" | 83 | 35 | 71 | 350 |
| AZA2083000 | M8 | 3" | 99 | 35 | 76 | 350 |
| AZA2104000 | M10 | 4" | 125 | 55 | 97,5 | 350 |
| AZA2106000 | M10 | 6" | 170 | 55 | 125 | 350 |
| AZA2108000 | M10 | 8" | 230 | 55 | 148 | 350 |



2.8 AB-ITS

Stainless steel clamp indextube simple



Stainless steel A2

Base Materials



Steel Piping

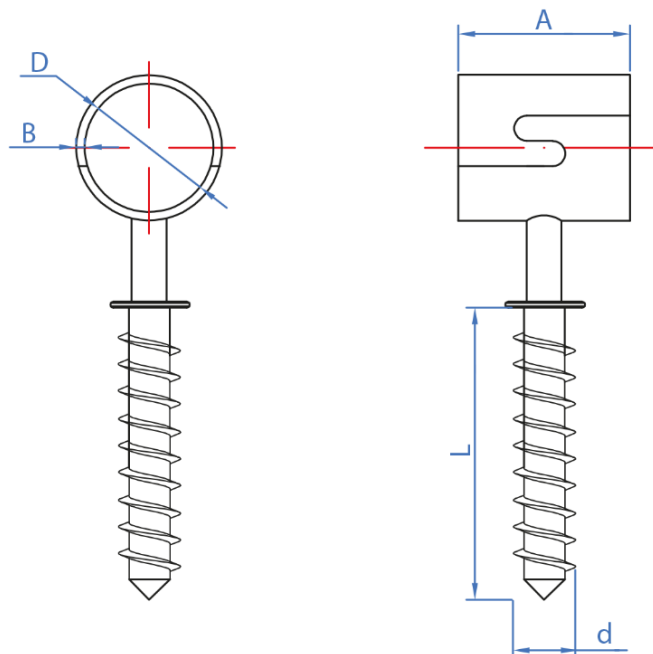
Copper Piping

Plastic Piping

Installation data






| Code | A (mm) | B (mm) | D (mm) | L (mm) | d (mm) | Maximum recommended load (kg) | Characteristics |
|----------|--------|--------|--------|--------|--------|-------------------------------|---|
| ABITS015 | 20 | 1,0 | 15 | 35 | 4,8 | 10 | <ul style="list-style-type: none"> • For piping and cables from Ø15 to Ø28 mm • Suitable for steel and plastic tubes. • Suitable for sanitary installations. |
| ABITS018 | 22,5 | 1,0 | 18 | 35 | 4,8 | 10 | |
| ABITS022 | 27 | 1,0 | 22 | 35 | 4,8 | 10 | |
| ABITS028 | 33 | 1,2 | 28 | 35 | 4,8 | 10 | |

DRAWING



2.9 AB-ITD

Stainless steel clamp indextube double

|  | Coating | | Base Materials | | |
|---|---|--|--|---|---|
| |  | |  |  |  |
| | Stainless steel A2 | | Steel Piping | Copper Piping | Plastic Piping |

Installation data

| Code | A (mm) | B (mm) | D (mm) | L (mm) | d (mm) | Maximum recommended load (kg) | Characteristics |
|----------|--------|--------|--------|--------|--------|-------------------------------|---|
| ABITD015 | 20 | 1,0 | 15 | 35 | 4,8 | 10 | <ul style="list-style-type: none"> • For piping and cables from $\varnothing 15$ to $\varnothing 28$ mm • Suitable for steel and plastic tubes. • Suitable for sanitary installations. |
| ABITD018 | 22,5 | 1,0 | 18 | 35 | 4,8 | 10 | |
| ABITD022 | 27 | 1,0 | 22 | 35 | 4,8 | 10 | |

DRAWING

