

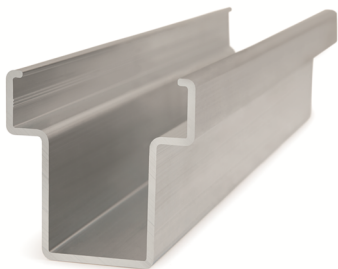
PSE-CUN

PRODUCT DESCRIPTION

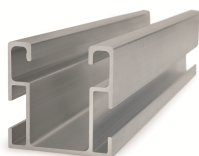
- Connector for aluminium profile for assembled fixing

CHARACTERISTICS

- Profile for the lengthwise joining of PSE-C profiles.
- Extruded 6063-T6 aluminium alloy profile.
- For outside use.
- Interior coupling for PSE-C profiles without interfering with any operations
- 200 mm length for a strong joint.
- Available in anodized.



ASSEMBLY APPLICATIONS/ACCESSORIES



PSE - C



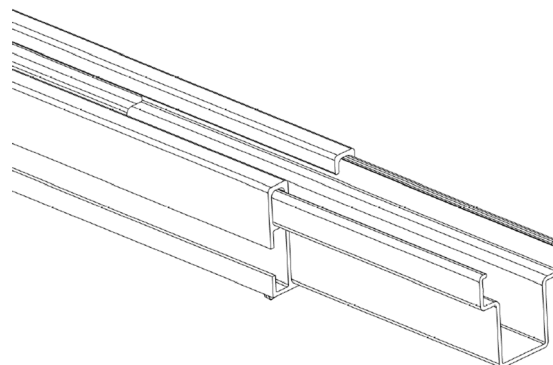
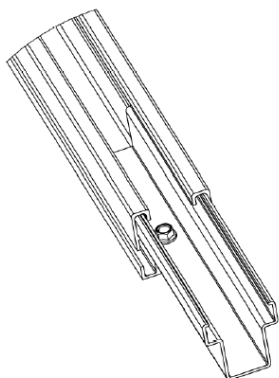
ABE15519

Used in **coplanar and triangular aluminium installation systems** for the lengthwise joining of PSE-C “aluminium profile for assembled fixing”.

Its specific design allows profiles to be joined via their central cavity without interfering with any operations.

The fixing of profiles to joints is via stainless steel A2-70 **ABE15519** “DIN-7504-K self-drilling screws”.

APPLICATION EXAMPLE



Application example 1: Lengthwise joining of PSE-C profiles.

1.RANGE

ITEM	CODE	PHOTO	DESCRIPTION	LENGTH	MATERIAL	FINISH
1	PSECUN200		Connector for aluminium profile for assembled fixing	200mm	 Aluminium 6063-T6	 Natural anodized 15 microns (AA15)

2. INSTALLATION INFORMATION

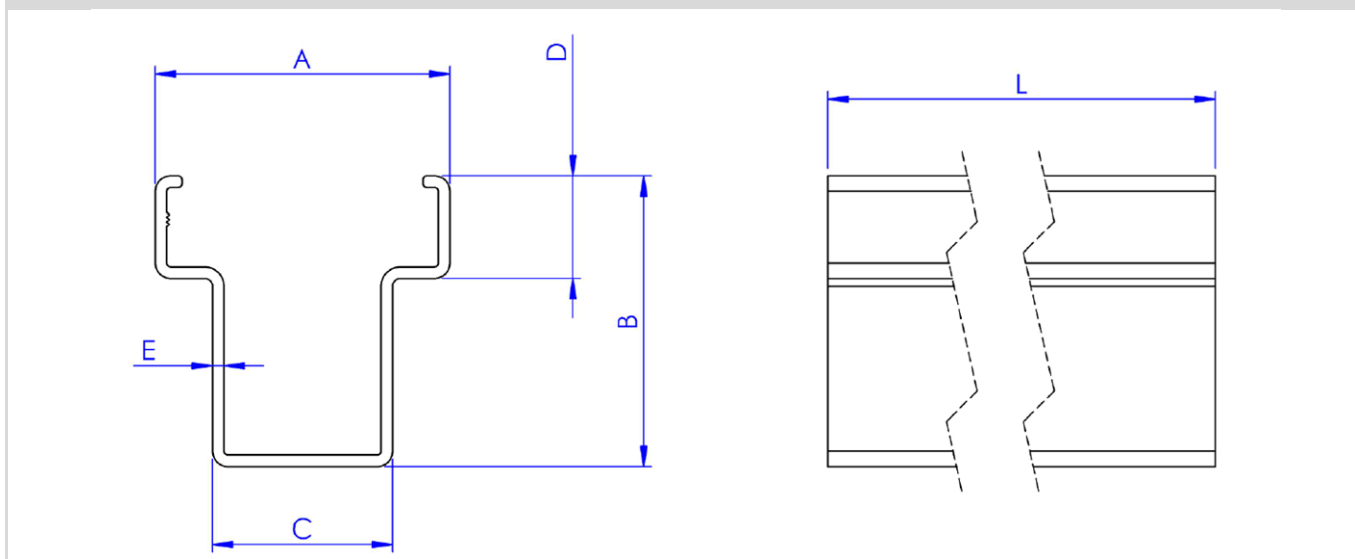
2.1 PSE-CUN Connector for aluminium profile for assembled fixing.

	Material	Finish	Compatible with	Assembly accessories
	<p>Aluminium 6063-T6</p>	<p>Anodized</p> <p>Natural anodized 15 µm (AA15)</p>	<p>PSE-C</p> <p>Aluminium profile for assembled fixing</p>	<p>ABEI5519</p> <p>Tornillo DIN-7504-K A2</p>

Measurement table

Code	A (mm)	B (mm)	C (mm)	D (mm)	E (mm)	L (mm)
PSECUN200	38,3	37,7	23,4	13,2	1,5	200

Drawing



Mechanical properties of the material

	Yield strength $F_{y0.2}$ (N/mm ²)	Ultimate load F_u (N/mm ²)	Elastic modulus E (N/mm ²)	Transverse elastic modulus G (N/mm ²)	Linear expansion coefficient α_L (µm/mK)	Specific weight ρ (kg/m ³)
EN AW-6063-T6 aluminium	170	215	69.500	26.100	23,5	2.700

Mechanical properties of the profile.

	Area S (cm ²)	Moment of inertia I_x (cm ⁴)	Moment of inertia I_y (cm ⁴)	Section modulus W_x (cm ³)	Section modulus W_y (cm ³)	Linear weight W (kg/m)
	1,65	2,45	2,78	1,08	1,40	0,446