



ES-DR



ES-DA2



AB-TA



AB-TA B



AB-TA A2



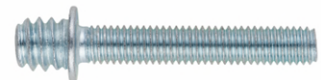
AB-TG



PF-ZN



PF-A4



AB-TR



AB-FP



AB-FC

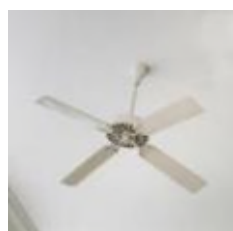


TM-VR

CHARACTERISTICS

- Versatility of metrics, components and coverings.
- Connecting Sleeves of rods for large applications (malls, shops, etc.).
- Different ceiling fixing solutions: Double threaded studs, clamping screw, conical and flat rosettes ...
- Finished in galvanized, bichromated and stainless (according to each element).

BASE MATERIAL EXAMPLES



1.RANGE

ITEM	DENOMINATION	PHOTO	MATERIAL	COATING
1	ES-DR		Steel SAE J403 1008	 Zinc plated $\geq 5\mu\text{m}$ ISO 4042 A2J
2	ES-DA2		Steel A2-70 UNE-EN ISO 3506-1	 Steel A2-70
3	AB-TA		Steel class 5.6 ISO 898-1	 Zinc plated $\geq 5\mu\text{m}$ ISO 4042 A2J
4	AB-TA B		Steel class 5.6 ISO 898-1	 Yellow zinc plated $\geq 5\mu\text{m}$ ISO 4042 A2J
5	AB-TA A2		Steel A2-70 UNE-EN ISO 3506-1	 Steel A2-70
6	AB-TG		Steel SAE J403 1023	 Zinc plated $\geq 5\mu\text{m}$ ISO 4042 A2J
7	PF-ZN		Steel S235R	 Zinc plated $\geq 5\mu\text{m}$ ISO 4042 A2J
8	PF-A4		Steel A4-70 UNE-EN ISO 3506-1	 Steel A4-70
9	AB-TR		Steel C1008	 Zinc-plated $\geq 5\mu\text{m}$ ISO 4042 A2J
10	AB-FP		Steel C1008	 Zinc-plated $\geq 5\mu\text{m}$ ISO 4042 A2J
11	AB-FC		Steel C1008	 Zinc-plated $\geq 5\mu\text{m}$ ISO 4042 A2J
12	TM-VR		Acero C1008	 Zinc-plated $\geq 5\mu\text{m}$ ISO 4042 A2J

2. INSTALLATION DATA

2.1 ES-DR

Zinc plated Double threaded screw



Properties



Steel

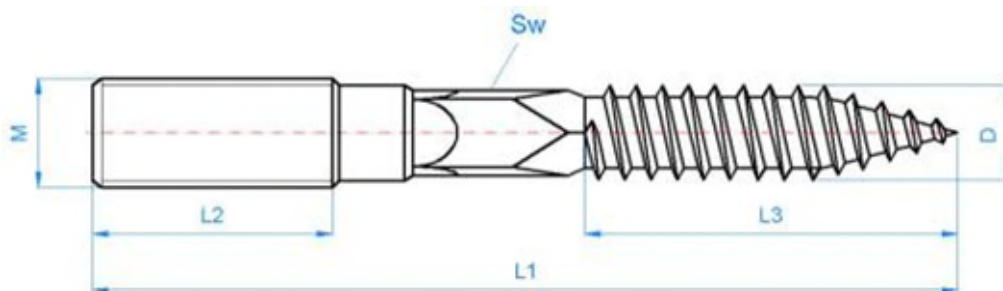


Zin Plated coating

Sizes

CODE	ØM	L1	ØD	L2	L3	SW	Recess
ESDR06040	M6	38,5 ÷ 40,5	5,75 ÷ 6,05	11 ÷ 13	23 ÷ 25	--	Hexalobular Tx15
ESDR06050		48,5 ÷ 50,5		15 ÷ 17	27 ÷ 30		
ESDR06060		58 ÷ 61		17 ÷ 19	33 ÷ 36		
ESDR06070		68 ÷ 71		25 ÷ 27			
ESDR06080		78 ÷ 81		33 ÷ 35			
ESDR08050	M8	48,5 ÷ 51	6,85 ÷ 7,15	12 ÷ 14	28 ÷ 31	--	Hexalobular Tx25
ESDR08060		58,5 ÷ 61		14 ÷ 16	36 ÷ 39		
ESDR08070		68,5 ÷ 71		24 ÷ 26			
ESDR08080		78 ÷ 81		27 ÷ 30			
ESDR08090		88 ÷ 91		32 ÷ 35	46 ÷ 49	5,85 ÷ 6,00	
ESDR08100		98 ÷ 101					
ESDR08110		108 ÷ 111					
ESDR08120		118 ÷ 121					
ESDR08130	128 ÷ 131	48 ÷ 52					
ESDR10080	M10	78 ÷ 81	8,75 ÷ 9,15	16 ÷ 20	45 ÷ 48	7,85 ÷ 8,00	
ESDR10100		98 ÷ 101		22 ÷ 26	55 ÷ 59		
ESDR10110		108 ÷ 111					
ESDR10120		118 ÷ 121					
ESDR10130		128 ÷ 131		43 ÷ 47			
ESDR10140		138 ÷ 141					
ESDR10150		148 ÷ 151					
ESDR10180		178 ÷ 181		48 ÷ 52			
ESDR10200		198 ÷ 201					

DRAWING



2.2 ES-DA2

Stainless double threaded screw



Properties

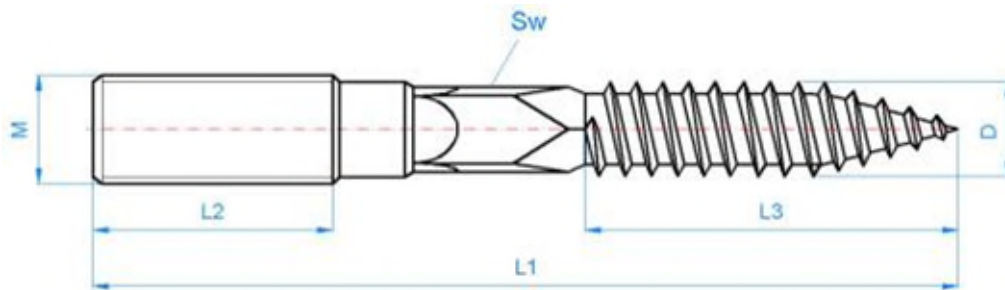


Stainless Steel A2

Sizes

CODE	ØM	L1	ØD	L2	L3	SW	Recess
ESDA208060	M8	58,5 ÷ 61,5	6,85 ÷ 7,30	17,5 ÷ 22,5	28,95 ÷ 31,05	5,85 ÷ 6,00	--
ESDA210060	M10		8,75 ÷ 9,15			7,85 ÷ 8,00	

DRAWING



2.3 AB-TA

Threaded screws for clamps



Properties



Steel

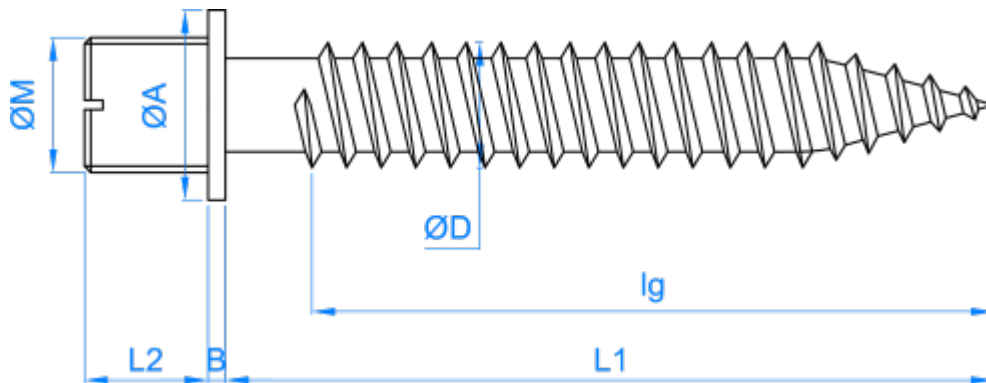
Zin Plated coating

Flat recess

Sizes

CODE	ØM	L1	ØD	L2	B	ØA	lg
ABTA0630	M6	28,95 ÷ 31,05	4,85 ÷ 5,15	5,8 ÷ 6,2	0,9 ÷ 1,1	8,0 ÷ 8,2	Full threaded
ABTA0640		38,75 ÷ 41,25					
ABTA0650		48,75 ÷ 51,25					
ABTA0730	M7	21÷23	5,5÷6,1	5,8 ÷ 6,2	0,8÷1,2	9,0÷10,0	Full threaded
ABTA0740		31÷33					
ABTA0750		41÷43					
ABTA0760		51÷53					
ABTA0770		61÷63					
ABTA0780	71÷73	45					
ABTA0840	M8	38,75 ÷ 41,25	5,85 ÷ 6,15	7,3 ÷ 7,7	1,3 ÷ 1,5	8,0 ÷ 8,3	Full threaded
ABTA0860		58,50 ÷ 61,50					45
ABTA0880		78,50 ÷ 81,50					45
ABTA1050	M10	48,50 ÷ 51,50	6,85 ÷ 7,15	8,8 ÷ 9,2	1,6 ÷ 1,8	12,0 ÷ 12,2	Full threaded
ABTA1070		68,50 ÷ 71,50					45
ABTA1090		88,25 ÷ 91,75					45

DRAWING



2.4 AB-TA B

Yellow zinc-plated threaded screws for clamps



Properties



Steel



Yellow zinc plated coating

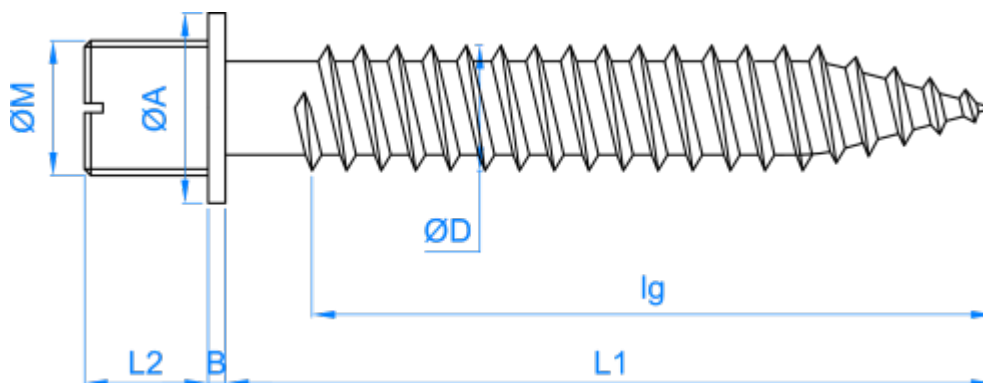


Flat recess

Sizes

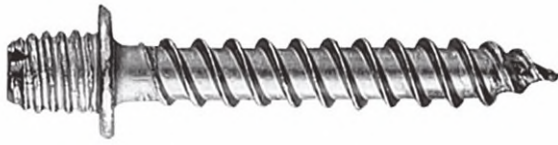
CODE	ØM	L1	ØD	L2	B	ØA	lg
ABTA0630	M6	28,95 ÷ 31,05	4,85 ÷ 5,15	5,8 ÷ 6,2	0,9 ÷ 1,1	8,0 ÷ 8,2	Full threaded
ABTA0640		38,75 ÷ 41,25					
ABTA0650		48,75 ÷ 51,25					

DRAWING



2.5 AB-TA A2

Stainless threaded screw for clamps



Properties



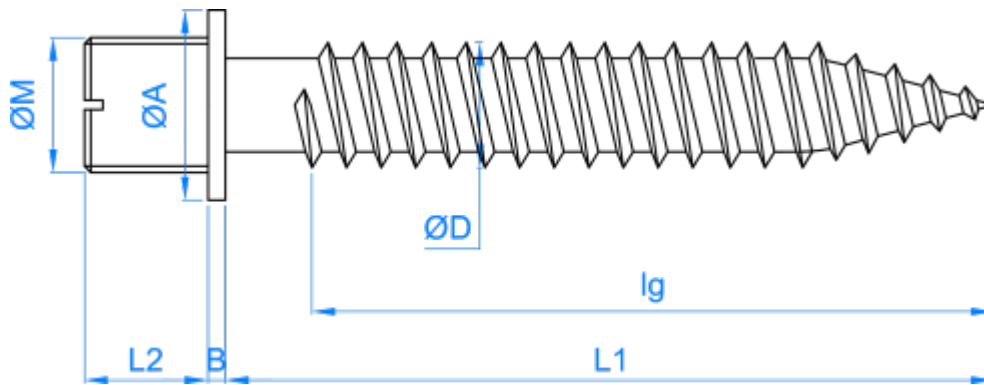
Stainless Steel A2

Flat recess

Sizes

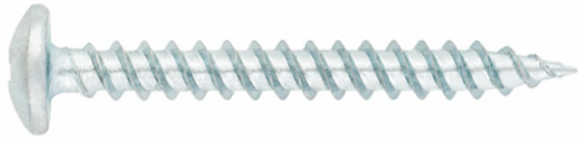
CODE	ØM	L1	ØD	L2	B	ØA	lg
ABTA20630	M6	28,95 ÷ 31,05	4,70 ÷ 5,20	6,8 ÷ 7,2	1,2	7,8	Full threaded

DRAWING



2.6 AB-TG

Threaded screws for clips



Properties



Steel



Zinc plated coating

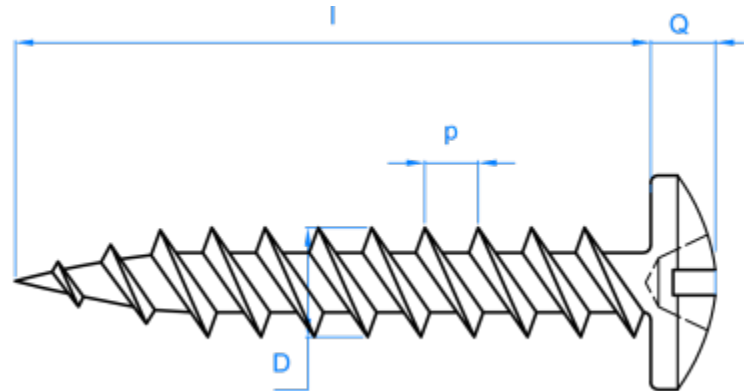
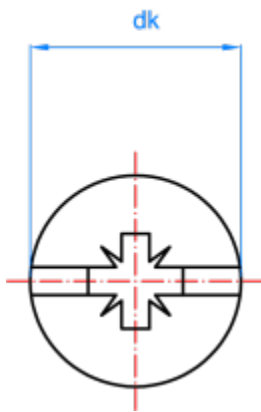


Pz + Flat recess

Sizes

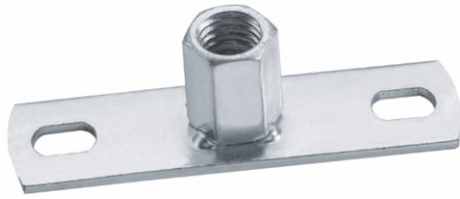
CODE	$\varnothing dk$	L	$\varnothing D$	p	Q	SW
ABTG4530	9,8	30	4,3	2,0	2,5	2
ABTG4535	9,8	35	4,3	2,0	2,5	2
ABTG4540	9,8	40	4,3	2,0	2,5	2
ABTG5030	11,8	30	4,8	2,2	2,7	3
ABTG5040	11,8	40	4,8	2,2	2,7	3

DRAWING



2.7 PF-ZN

Zinc plated flat bar for fixation



Properties



Steel

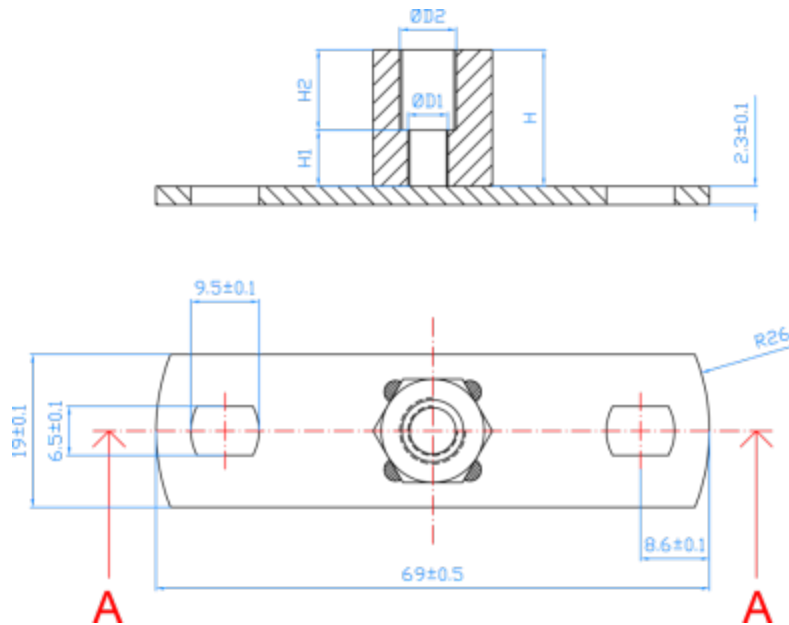


Zin Plated coating

Sizes

CODE	D1	D2	H	H1	H2
PFZNM0800	M8	--	7,5	7,5	--
PFZNM0810	M8	M10	17	7	10
PFZNM1000	--	M10	9	--	9

DRAWING



MAXIMUM RECOMMENDED LOAD [kg]

100

2.8

PF-A4

Stainless flat bar for fixation



Properties

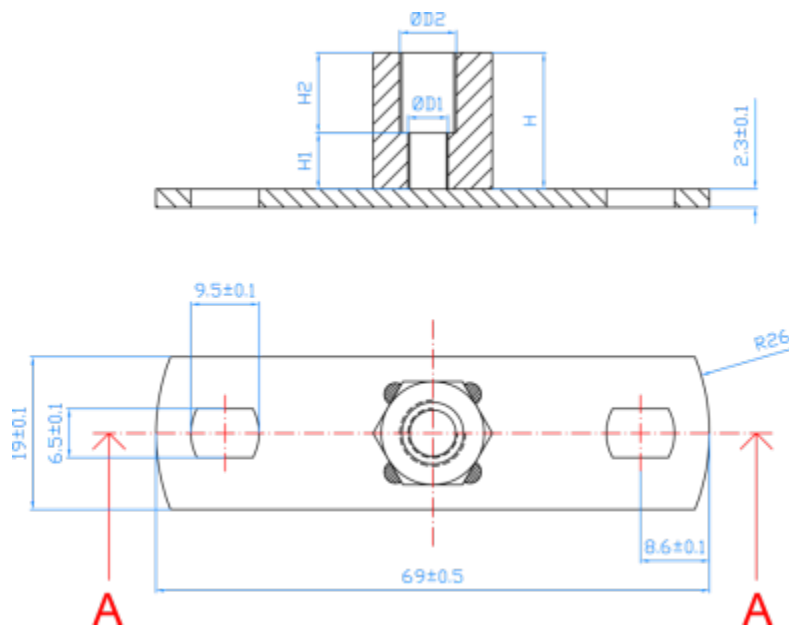


Stainless steel A4

Sizes

CODE	D1	D2	H	H1	H2
PFA4M0800	M8	--	7,5	7,5	--
PFA4M0810	M8	M10	17	7	10
PFA4M1000	--	M10	9	--	9

DRAWING

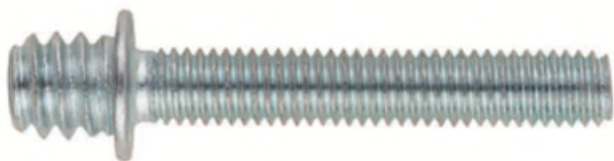


MAXIMUM RECOMMENDED LOAD [kg]

100

2.9 AB-TR

Threaded screw for clamps



Properties



Steel

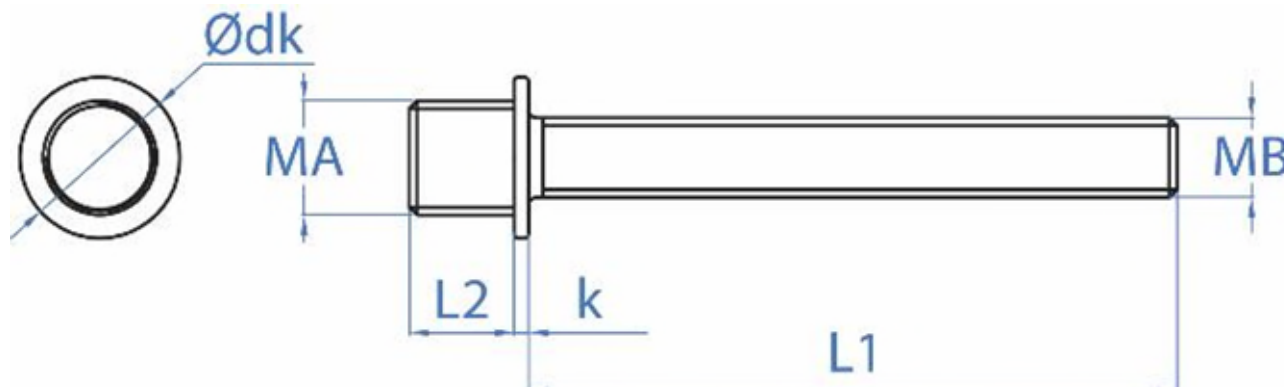


Zin Plated coating

Sizes

CODE	MA	MB	L1	L2	k	Ødk
ABTR05030	M7	M5	30	6	1	9
ABTR05040	M7	M5	40	6	1	9
ABTR05050	M7	M5	50	6	1	9
ABTR05060	M7	M5	60	6	1	9
ABTR06040	M7	M6	40	6	1	9
ABTR06050	M7	M6	50	6	1	9
ABTR06060	M7	M6	60	6	1	9

DRAWING



2.10 AB-FP

Flat washer for clamps



Properties



Steel

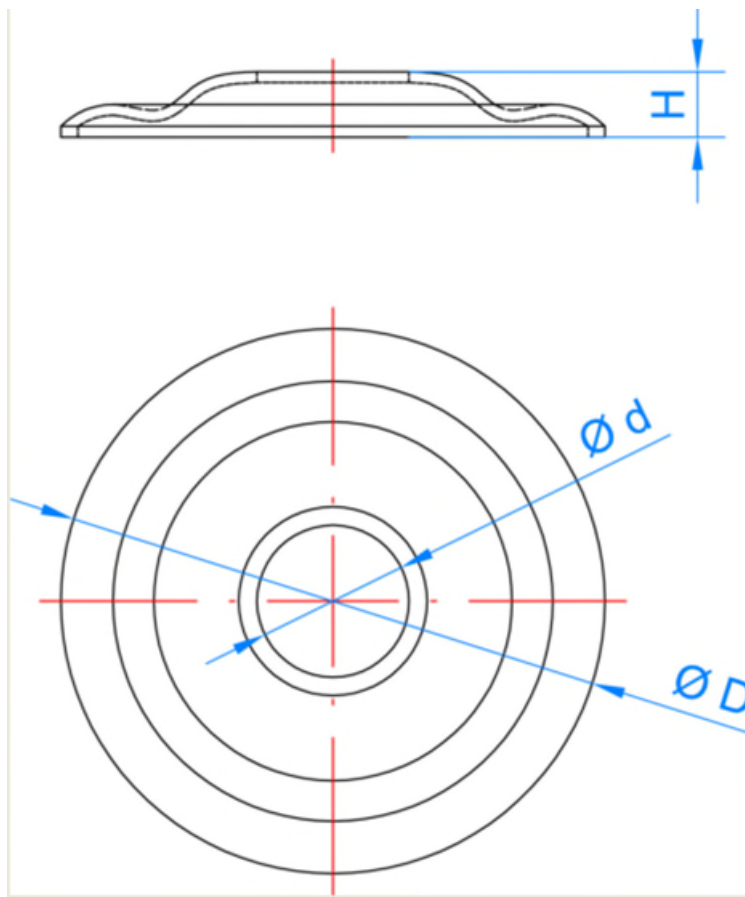


Zin Plated coating

Sizes

CODE	$\varnothing D$	$\varnothing d$	H
ABFP25	25	7	3
ABFP32	32	7	4

DRAWING



2.11 AB-FC

Conical washer for clamps



Properties



Steel

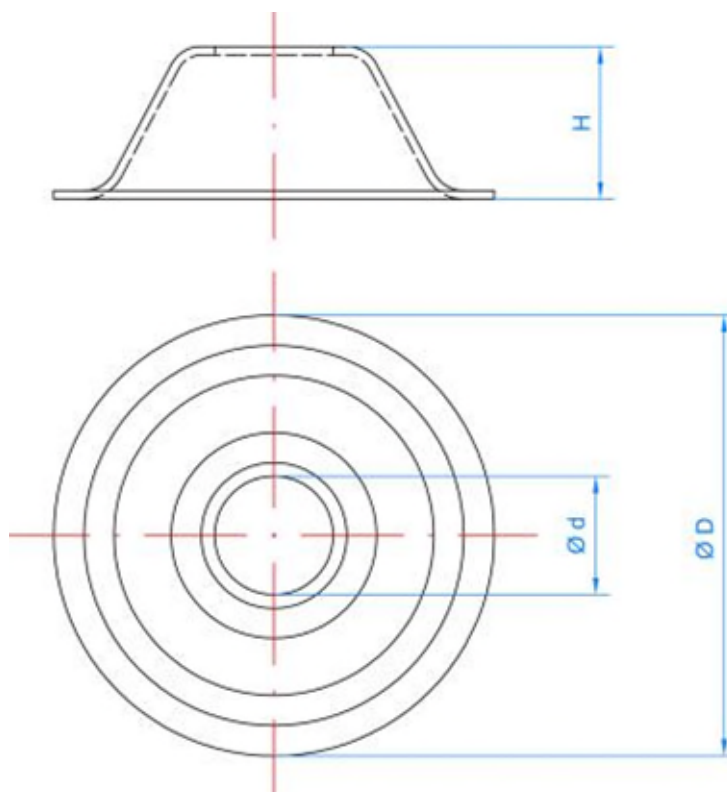


Zin Plated coating

Sizes

CODE	$\varnothing d$	$\varnothing D$	H
ABFC09	7	26	9
ABFC14	7	30	14
ABFC19	7	34	19

DRAWING



2.12

TM-VR

Screw coupling nut for threaded rod



Properties



Steel



Zin Plated coating

Sizes

CODE	M	L	L1
TMVR06065	M6	65	50
TMVR07065	M7	65	50
TMVR08065	M8	65	50

DRAWING

